

DN 08 到 DN 200

PN 100 / PN 16
缩径或通径
活套法兰设计
ISO 法兰平台



不锈钢系列
Stainless steel series

Size 1/4" to 8"

PN 100 / PN 16
Reduced or full bore
Rotating ends system
ISO top flange



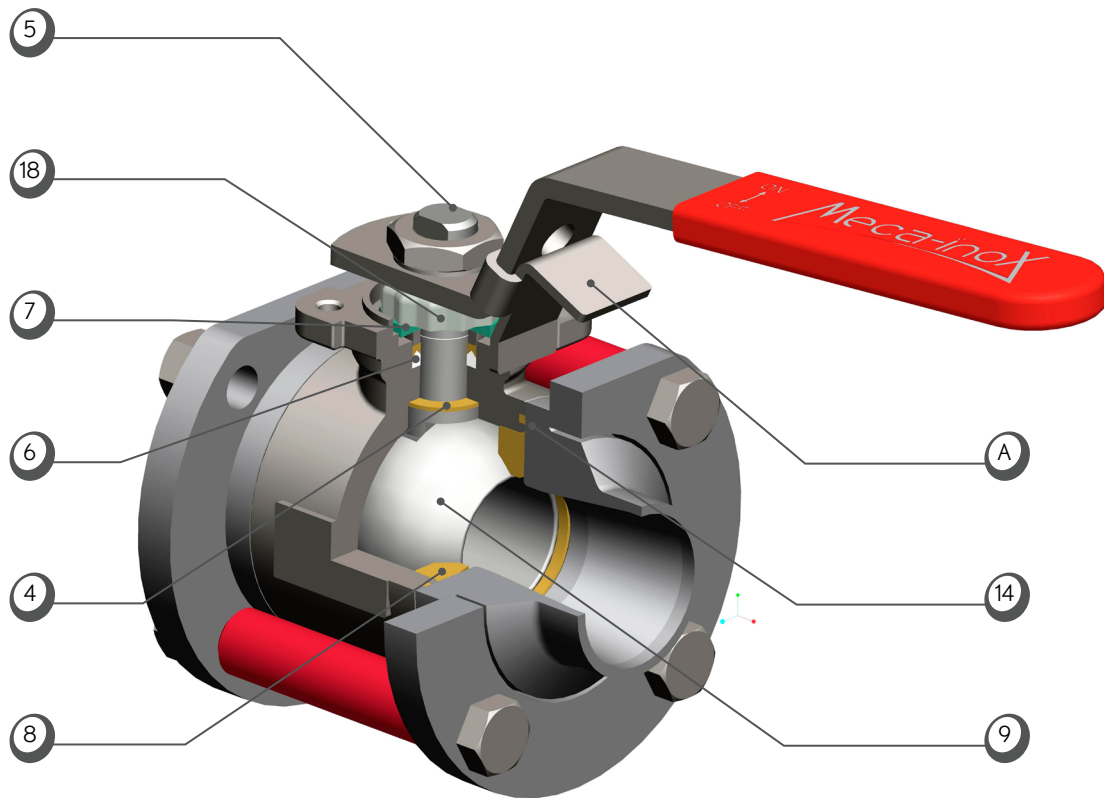
碳钢系列
Carbon steel series



DN 65 到 DN 200系列
Size 2"1/2 to 8" series



气动系列
Actuated series



A • EN ISO 5211 法兰平台

更加容易与阀门上端的驱动装置匹配。该法兰具有槽口以配合可锁手柄。

4 • 阀杆密封

属于初级密封，由 PTFE+PEEK 的复合材料组成，可实现长时间的工作寿命和工作次数。

5 • 防喷出阀杆

阀杆设计可承受高扭矩操作，不会断裂也不会扭曲变形。

6 • 填料

填料函经机械加工且与V型环状填料配合。这样的装配确保防静电填料密封通过，且密封性能通过 TA LUFT 认证。

7 • 弹簧垫片

弹簧垫片通过弹力对填料的损耗进行补偿。

8 • 阀座

可提供的阀座材质范围广泛，PS4球阀系列产品可应用于很多工况，温度范围为：-196 °C 到 280 °C。

9 • 阀球

阀杆槽口处加工有泄压孔以避免阀门在‘打开’位置时出现任何超压状况。

14 • 嵌入式阀体密封

PTFE材质的密封件嵌入阀体加工的槽腔内，为阀体及端子部件之间提供高可靠性的密封。

18 • 螺母锁紧设计

螺母锁紧装置确保在阀门操作时填料压紧螺母和手柄螺母处于锁紧状态。

A • EN ISO 5211 top flange

Makes easier the adaptation of an actuator on the valve. This flange has notches to welcome a lockable handle.

4 • Stem thrust seal

Acts as a primary sealing. Made of PTFE + PEEK, it ensures a longer lifetime and numerous cycles.

5 • Antiblow-out stem

The stem is designed to resist high operating torques without breaking nor twisting.

6 • Gland-packing

The gland box is machined and receive a V-ring packing. This assembly ensures an antistatic gland-packing, TA LUFT certified.

7 • Spring washers

The spring washers act as a spring to compensate the packing wear.

8 • Seats

A wide range of seat materials is available. The PS4 valve can be used in many process applications from -196°C to 280 °C.

9 • Ball

A cavity relief is drilled in the stem groove in order to avoid any overpressure in "Open" position.

14 • Encapsulated body seals

In PTFE, they are giving a reliable sealing between the body and connections.

18 • Safety nut lock

These nut locks ensure to keep the packing nut and the handle nut in place during valve operations.

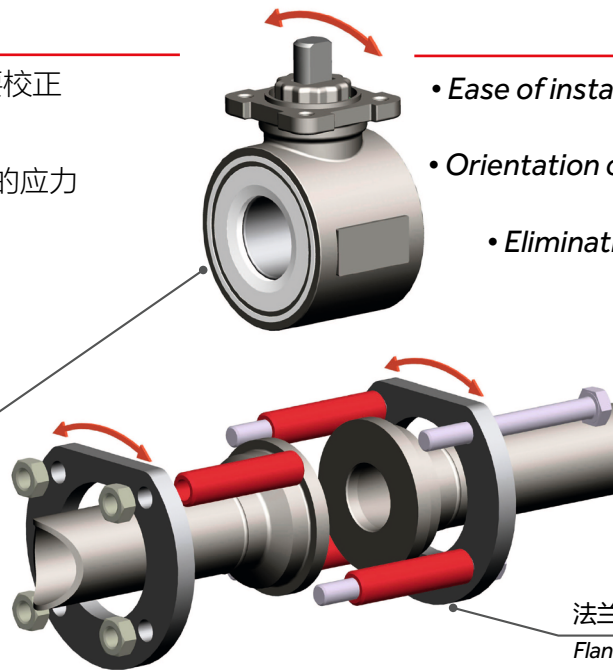
活套法兰

- 易于安装: 端子位置不需要校正
- 阀体可进行 360° 旋转
- 避免了端子安装误差导致的应力

Loose body flanges

- Ease of installation without alignment of the end pieces
- Orientation of the valve body through 360°
- Elimination of the stresses due to faulty alignment

● 阀体可 360° 旋转
Valve body rotatable through 360°



● 法兰可 360° 旋转
Flanges rotatable through 360°

分体包装

- 节约安装时间
- 不同颜色代表不同的阀体材质
- 运输和安装时能够保护内部组件

The Kit box

- Save time when fitting
- Identification of the materials by distinct colours
- Protection of the components during installation



304L

A216 WCB

904L

Alloy 22

316L

机加工连接端

- 连接方式多种多样
- 尺寸可定制
- 可快速生产

The machined ends

- Large choice of connections
- Customized dimensions
- Fast production



密封设计
SEALING DESIGN

检测标准

PED 规范

根据欧洲压力设备规范 (PED) 97 / 23 / EC, 所有球阀都按照 PED 规范进行生产, 在发运或入库之前, 必须完成水压测试, 试验按照 ISO 5208 国际标准进行。

TS 证书

中华人民共和国特种设备制造许可证。

逃逸泄漏

美嘉诺阀门符合 TA LUFT 02 / 27 / 1986 (Pt 3.1.8.4) 标准的要求。
泄漏率远低于标准允许值, 且符合 EN ISO 15848 - 2 的规范, 如 VDI 2440 - 2000。

内漏测试

所有阀门都会通气, 加压, 保持关闭状态进行测试, 并确保没有气泡溢出。

所有球阀都会通气加压, 关闭位置进行测试, 在测试时没有气泡产生。

所有阀门都符合“A”级标准 (根据 EN 12266 - 1)
没有气泡 = 零泄漏

Tests

PED directive

According to Pressure European Directive (PED) 97/23/CE, all our ball valves are controlled during the production process. A final hydrostatic pressure test is achieved before dispatch or warehousing.

Our tests are conducted according ISO 5208 international standard.

TS Certification

Manufacture licence of special equipment People's Republic of China.

Fugitives Emissions

Our valves are tested according TA LUFT 02/27/1986 (Pt 3.1.8.4) requisition.

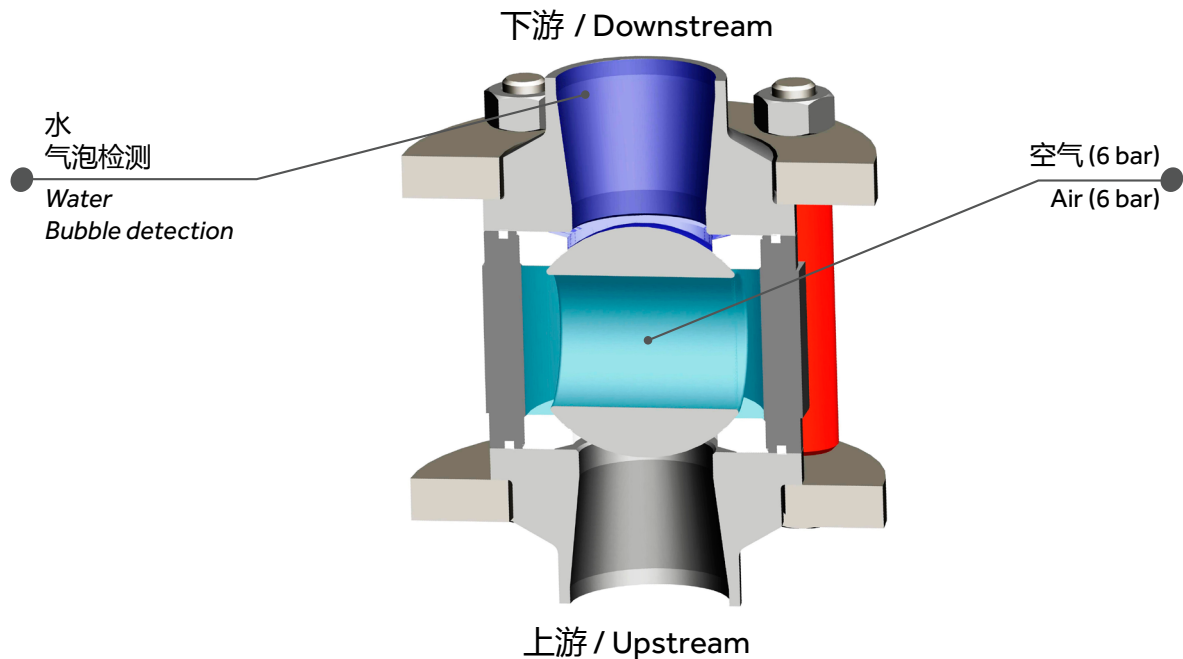
Tests show leakage rate much lower than the level requested EN ISO15848-2 by regulations such as VDI 2440_2000.

Test pressure of the ball sealing

The upstream/downstream leakage rate (in-line leakage) is ensured by the sealing between the ball and the seats.

We check that absolutely no bubble escape from pressurized air trapped in the volume inside the closed ball.

All our valves are "A" Cat.: EN 12266-1
no bubble = no leak



适用真空度

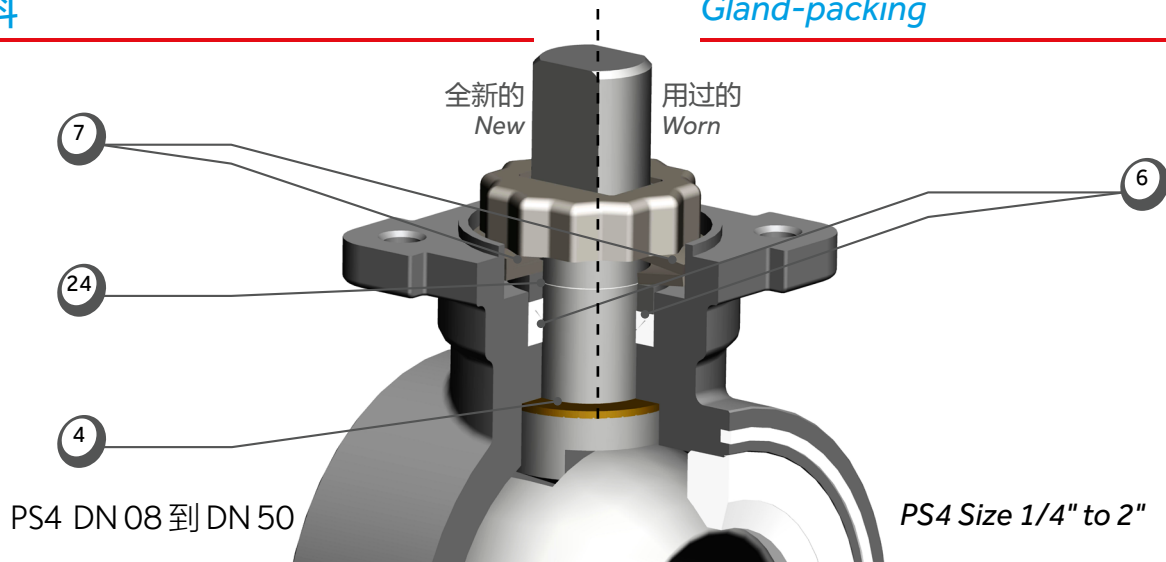
美嘉诺两片式和三片式球阀的设计和制造标准, 允许在低至 10^{-3} mbar 的真空条件下工作 ($0,75 \times 10^{-3}$ Torr)。

Vacuum resistance

Design and manufacturing of our 2-piece and 3-piece ball valve allow a vacuum capability of at least 10^{-3} mbar ($0,75 \times 10^{-3}$ Torr).

填料

Gland-packing



PS4 DN 08 到 DN 50

PS4 Size 1/4" to 2"

按照 NF EN 12516-1, DIN 3841 和 ANSI B16.34 标准进行设计

防静电填料按照 ISO 7121, NF EN 1983 的标准

PTFE+碳+石墨 填料 (6) (< DN50)

阀杆和阀体, 阀杆和阀球 (> DN 50) 之间的 阀球/弹簧装置 (B)

PEEK 增强型 PTFE 作为阀杆初级密封 (4)

次级密封为 V 型环状填料 (6), 可实现带压 (来自阀体的压力) 密封

不锈钢填料压盖 (24)

由一对弹簧垫片 (7) 进行损耗补偿

阀座支撑 (> DN 50) (20)

Design according NF EN 12516-1, DIN 3841, ANSI B16.34

Antistatic gland packing according to ISO 7121, NF EN 1983

Gland packing (6) in PTFE+ carbon + graphite (DN < 2")

Ball / spring system (B) between stem & body and stem & ball (DN > 2")

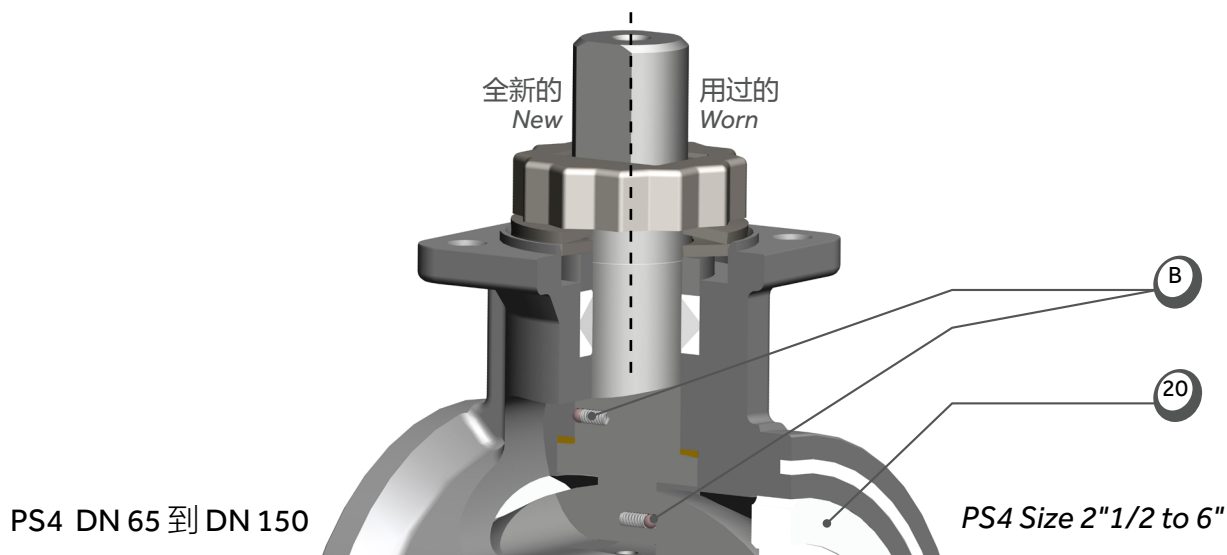
Primary sealing with thrust seal (4) in PEEK reinforced PTFE

Secondary sealing with a "V-ring" packing (6) to allow sealing under pressure coming from the valve body

Gland in stainless steel (24)

Wear compensation by the mean of a pair of spring washers (7)

Seat support (20) on DN > 2"



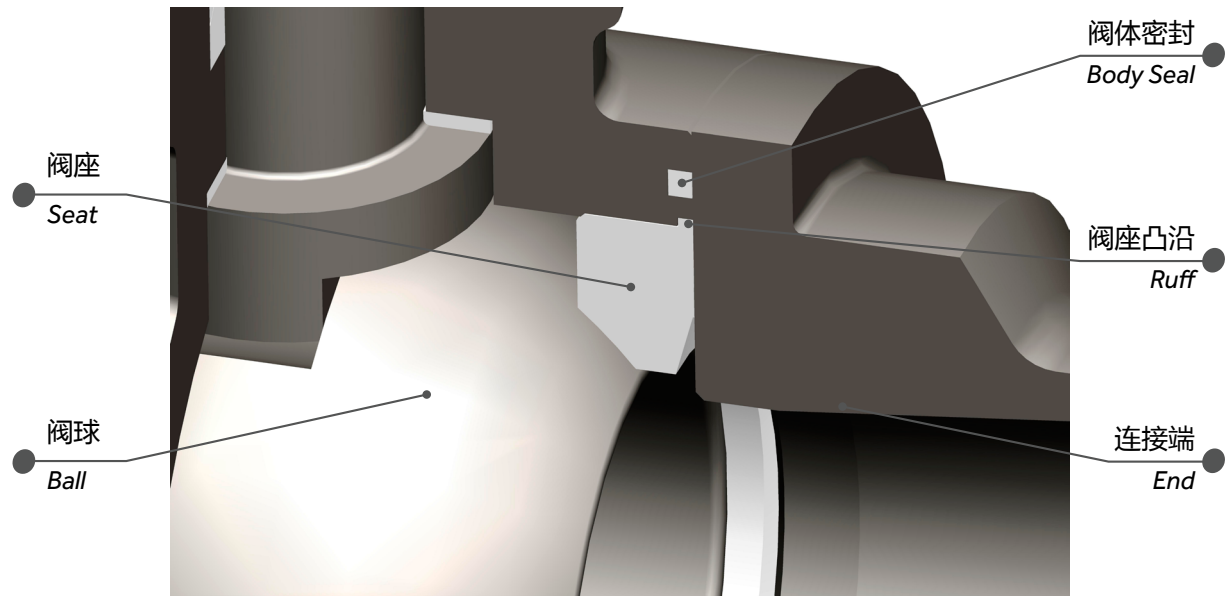
PS4 DN 65 到 DN 150

PS4 Size 2"1/2 to 6"

密封设计 SEALING DESIGN

阀座和阀体密封

Seats and body seals



嵌入式阀体密封
确保阀门内外的密封性。
独特的阀座轮廓设计
保证上下游密封效果。

弹性阀座吸收压缩应力。

阀座自动调节支撑设计优化操作扭矩。

阀座凸沿设计
防止上游压力大于下游时阀座
产生轴向窜动。

Built-in body seals to guarantee
internal/external tightness.

Seats profiles designed for upstream/downstream
sealing.

Seats elasticity to absorb pressure stress.

Progressive bearing to optimize operating torques.

Ruff to avoid the seat to be taken away when
upstream pressure is higher than downstream
pressure.

三片式球阀 | 3-piece ball valve

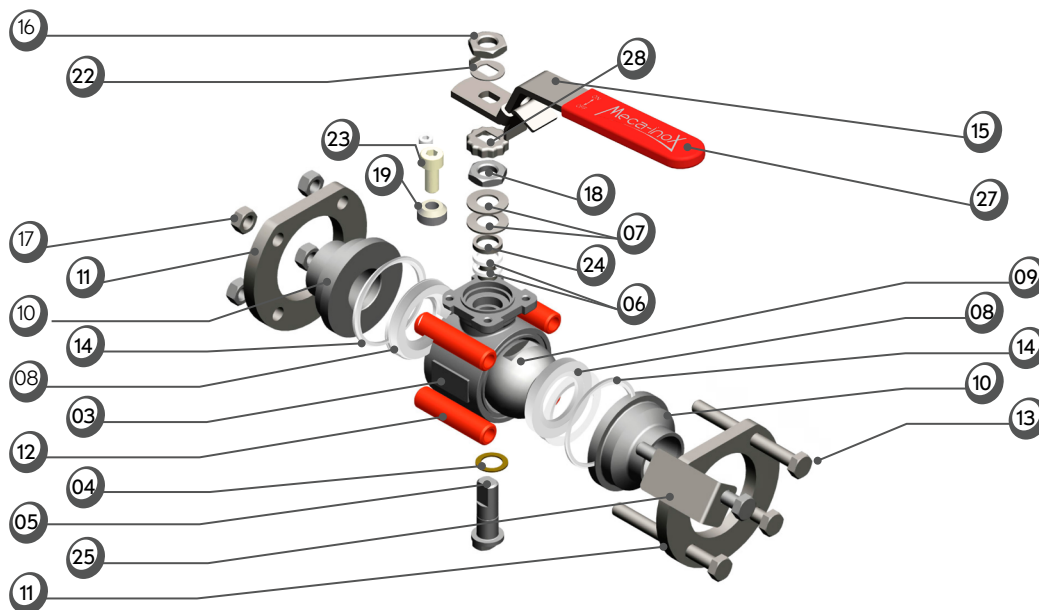


部件 COMPONENTS

3-PCS

DN 08 到 DN 50

Size 1/4" to 2"



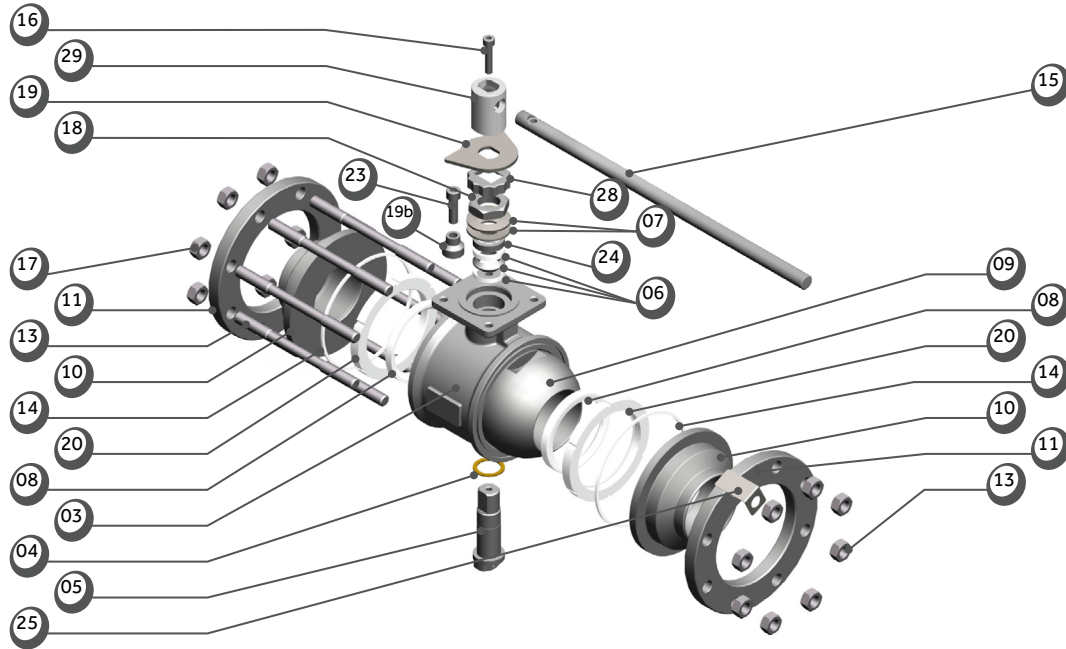
编号	数量	描述	材质 (EN)		Item	Qty	Description	Material (ASTM)	
			不锈钢	碳钢				S.steel	C.steel
03	1	阀体	1.4409	1.0619 电泳处理	03	1	Body	CF3M (316L)	A216 WCB cataphoresis treatment
	1	阀杆密封	20% PEEK PTFE	PEEK 20% PTFE	04	1	Stem thrust seal	20% PEEK PTFE	20% PEEK PTFE
05	1	阀杆	1.4404	1.4404	05	1	Stem	316L	316L
06	1	填料	33%碳+2%石墨PTFE	33%碳+2%石墨 PTFE	06	1	Gland packing	33%C+2%Gr PTFE	33%C+2%Gr PTFE
		填料(防火)	石墨	石墨			Gland packing (Fire Safe)	Graphite	Graphite
07	2	弹簧垫片	1.4310		07	2	Spring washers	301	301
08	2	阀座	PTFE	PEEK 20% PTFE	08	2	Seats	PTFE	20% PEEK PTFE
09*	1	球阀	1.4409		09*	1	Ball	CF3M (316L)	
10	2	自由连接端(DN10到25)	1.4404	1.1151 电泳处理	10	2	Loose ends (DN10 to 25)	316L	1020 cataphoresis treatment
		自由连接端(DN32到50)		1.0460 电泳处理			Loose ends (DN32 to 50)		A105 cataphoresis treatment
		固定连接端		1.1151 电泳处理			Fixed ends		1020 cataphoresis treatment
		法兰连接端					Flanged ends		
11	2	阀体法兰	1.4307	1.0144 电泳处理	11	2	Body flange	304L	A 501 cataphoresis treatment
12	4	套管	红色 PTFE	红色 PTFE	12	4	Distance piece	Red PTFE	Red PTFE
13	4	螺钉 DN 08 到 DN 40	1.4301	等级 8.8	13	4	Screw Size 1/4" to 1 1/2	304	Class 8.8
		双头螺柱 DN 50	1.4301	1.4301			Stud Size 2"	304	304
14	2	阀体密封	PTFE	PTFE	14	2	Body seal	PTFE	PTFE
		阀体密封 (可选项: 防火)	14404 + 石墨	14404 + 石墨			Body seal (option: Fire Safe)	316L + Graphite	316L + Graphite
15	1	标准手柄	1.1181	1.1181	15	1	Handle standard	1035	1035
		手柄可选项	参见操作可选项				Handle option	See OPTIONS FOR OPERATION	
16	1	手柄紧固螺母	1.4404	1.4404	16	1	Lever nut	316L	316L
16b	1	调解螺栓 DN 10	1.4301	1.4301	16b	1	Lever screw DN 10	304	304
紧固螺母					Nut screw				
17	4	DN 08 到 DN 40	1.4301	等级10.8	17	4	Size 1/4" to 1 1/2	304	Class 10.8
		DN50	1.4301	1.4301			Size 2"	304	304
18	1	压盖螺母	1.4404	1.4404	18	1	Nut gland	316L	316L
19	1	止动栓垫圈	1.4307	1.4307	19	1	Stop ring	304L	304L
22	1	止动片	1.4307	1.4307	22	1	Nut stop	304L	304L
23	1	止动栓	1.4301	1.4301	23	1	Screw stop	304	304
24	1	填料压盖	1.4404	1.4404	24	1	Gland	316L	316L
25	1	商标 (可选项)	1.4307	1.4307	25	1	Identification label (option)	304L	304L
27	1	带颜色的塑料手柄套 (可选项)	PVC	PVC	27	1	Color plastic cover (option)	PVC	PVC
28	1	螺母止动片	1.4307	1.4307	28	1	Stop nut gland	304L	304L

* 标准钻球阀
* Drilled ball as standard

部件
COMPONENTS

DN 65 到 DN 150

Size 2"1/2 to 6"



编号	数量	描述	材质 (EN)		Item	Qty	Description	Material (ASTM)	
			不锈钢	碳钢				S.steel	C.steel
03	1	阀体	1.4409	1.0619电泳处理	03	1	Body	CF3M (316L)	A216 WCB cataphoresis treatment
04	1	阀杆密封	20% PEEK PTFE	20% PEEK PTFE	04	1	Stem thrust seal	20%PEEK PTFE	20%PEEK PTFE
05	1	阀杆	1.4404	1.4404	05	1	Stem	316L	316L
06	1	填料	PTFE	PTFE	06	1	Gland packing	PTFE	PTFE
07	2	弹簧垫片	1.4310	1.4310	07	2	Spring washers	301	301
08	2	阀座	TFM 1600	TFM 1600	08	2	Seat	TFM 1600	TFM 1600
09*	1	阀球	1.4409	1.4409	09*	1	Ball	CF3M (316L)	CF3M (316L)
10	2	自由连接端 (DN 65)	1.4404	1.0460电泳处理	10	2	Loose ends (Size 2"1/2)	316L	A105 cataphoresis treatment
		自由连接端 (DN 125)		1.1151 电泳处理			1020 cataphoresis treatment		
		法兰连接端		1.1151 电泳处理			1020 cataphoresis treatment		
11	2	阀体法兰	1.4307	1.0037 镀铬处理	11	2	Body flange	304L	A283 Gr C chrome plating
13	双头螺栓		1.4307	1.4307	13	Stud		304L	304L
	12	DN 65				Size 2"1/2			
	16	DN 80 到 DN 125				Size 3" to 5"			
20	DN 150	Size 6"							
14	2	阀体密封	PTFE	PTFE	14	2	Body seal	PTFE	PTFE
15	1	标准手柄	1.0037 镀铬处理		15	1	Handle standard	A283 Gr C chrome plating	
		手柄可选项	参见操作可选项				Handle option	See OPTIONS FOR OPERATION	
16	1	手柄螺栓	1.4301	1.4301	16	1	Handle screw	304	304
17	紧固螺母		1.4307	1.4307	17	Nut screw		304L	304L
	6	DN 65				Size 2"1/2			
	8	DN 80 到 DN 125				Size 3" to 5"			
10	DN 150	Size 6"							
18	1	压盖螺母	1.4404	1.4404	18	1	Nut gland	316L	316L
19	1	止动片	1.4307	1.4307	19	1	Stop plate	304L	304L
19b	1	锁止塞	1.4307	1.4307	19b	1	Locking plug	304L	304L
20	2	阀座支撑	1.4409	1.4409	20	2	Seat holder	316L	316L
23	1	止动栓	1.4301	1.4301	23	1	Stop screw	304	304
24	1	填料压盖	1.4404	1.4404	24	1	Gland	316L	316L
25	1	商标	1.4307	1.4307	25	1	Identification label	304L	304L
28	1	螺母止动片	1.4307	1.4307	28	1	Stop nut gland	304L	304L
29	1	标准手柄连接套	1.0037 镀铬处理		29	1	Handle adaptor	A283 Gr C chrome plating	
		手柄连接套 (可选项)	1.4305	1.4305			Handle adaptor option	303	303

* 标准钻孔球阀
* Drilled ball valve standard

阀座及密封材料 SEATS & SEALINGS MATERIAL

3-PCS

技术参数

PS4 / PN4: TFM 1600 阀座

温度范围: -50°C / +190°C

PZ4: 20%PEEK 增强型 PTFE 阀座

温度范围: 0°C / +280°C

PP4: PEEK 阀座

温度范围: 0°C / +280°C

碳钢, 316L, 904L, 304L, 合金材质

标准型

在球阀与阀杆连接处钻孔, 用于阀门腔体泄压。

可选项

上游泄压孔用于阀门关闭位置时阀腔泄压。

批准

PED 97 / 23 / EC

TA-Luft (逃逸泄漏)

AD2000 Merkblatt

FDA 批准的阀座材质

可选项

ATEX 94 / 9 / EC

遵照 2010 / 35 / UE TPED 认证打上 π 标识

ADR §1.8.7.6 认证

Technical data

PS4 / PN4: TFM 1600 seats.

Temperature range: -50°C / +190°C

PZ4: 20% PEEK filled PTFE seats.

Temperature range: 0°C / +280°C

PP4: PEEK seats.

Temperature range: 0°C / +280°C

Carbon steel, 316L, 904L, 304L, Alloy 22 version.

Standard version:

Ball drilling in the stem groove for cavity relief in the open position.

Option:

Upstream vent hole for cavity relief in closed position.

Approvals:

PED 97/23/CE

TA-Luft (fugitive emissions)

AD2000 Merkblatt

Seat material FDA approved

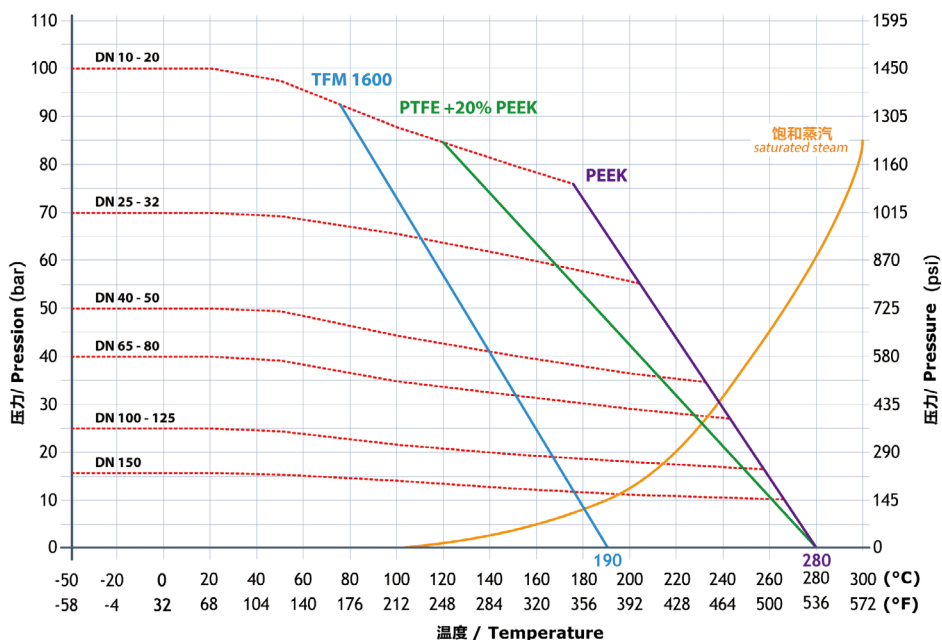
Options:

ATEX 94/9/CE

π marking according to 2010/35/UE TPED :

certification ADR §1.8.7.6

压力 / 温度图 Pressure/Temperature diagrams



--- 阀体的机械强度
—— 阀座的机械强度

-10°C = 标准碳钢球阀的使用温度限值
(1.0619 / A216 WCB)

-46°C = 低温碳钢球阀的使用温度限值
(1.0566 / A352-LC2-1)

所有数值均基于通径尺寸

--- mechanical strength of body
—— mechanical strength of seats

-10°C = limit the use of standard carbon steel valves
(1.0619 / A216 WCB)

-46°C = limit the use of low temperature carbon steel valves
(1.0566 / A352-LC2-1)

All values are given for full bore size.

阀座及密封材料 SEATS & SEALINGS MATERIAL

技术参数

PH4: 超高分子量聚乙烯阀座 (UHMWPE)。

温度范围: -50°C / +100°C

PJ4: TFM 1600 阀座 阀体密封和填料使用氟素硅胶。

温度范围: -80°C / +180°C

316L, 904L, 304L, 合金材质。

标准型

PJ4 / PH4: 在阀球上与阀杆连接处钻孔, 用于阀门腔体泄压。

PJ4: 上游泄压孔用于阀门关闭位置时阀腔泄压。

可选项

PH4: 上游泄压孔用于阀门关闭位置时阀腔泄压。

PH4: 阀球上没有泄压孔。

PJ4: 可交付 RHJ 型延伸阀杆用于隔热管道上的操作。

认证

PED 97 / 23 / EC

TA-Luft (逃逸泄漏)

AD 2000 Merkblatt

FDA 批准的阀座材质

可选项

ATEX 94 / 9 / EC 仅适用 PJ4

遵照 2010 / 35 / UE TPED 认证打上 p 标识

ADR § 1.8.7.6 认证

Technical data

PH4: Ultra High Molecular Weight Poly Ethylen seats (UHMWPE). Temperature range -50°C / +100°C

PJ4: TFM 1600 seats. Body seal and gland-packing in fluoro-silicon.

Temperature range -80°C / +180°C

316L, 904L, 304L, Alloy version.

Standard version:

PJ4 / PH4: Ball drilling in the stem mark for cavity relief in open position.

PJ4: Upstream vent hole for cavity relief in closed position.

Option:

PH4: Upstream vent hole for cavity relief in closed position.

PH4: Ball without cavity relief

PJ4: Delivered with RHJ stem extension for operation above pipe insulation.

Approvals:

PED 97/23/CE

TA-Luft (fugitive emissions)

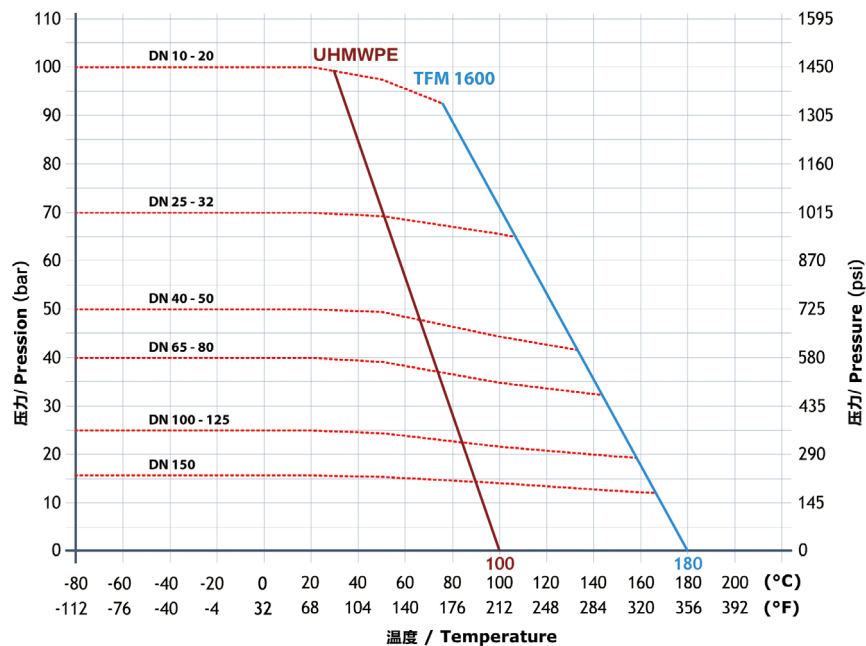
AD2000 Merkblatt

Seat material FDA approved

Options: ATEX 94/9/CE only for PJ4

π marking according to 2010/35/UE TPED : certification ADR §1.8.7.6

压力 / 温度图 Pressure/Temperature diagrams



--- 阀体的机械强度
— 阀座的机械强度

所有数据基于阀门通径尺寸

--- mechanical strength of body
— mechanical strength of seats

All values are given for full bore size.

技术参数

PY4 : TF 3215 阀座 (聚四氟乙烯+碳)
 温度范围: -200° C / +200° C
 没有延伸阀杆, 应用于阀门外部不会凝冰的情况。

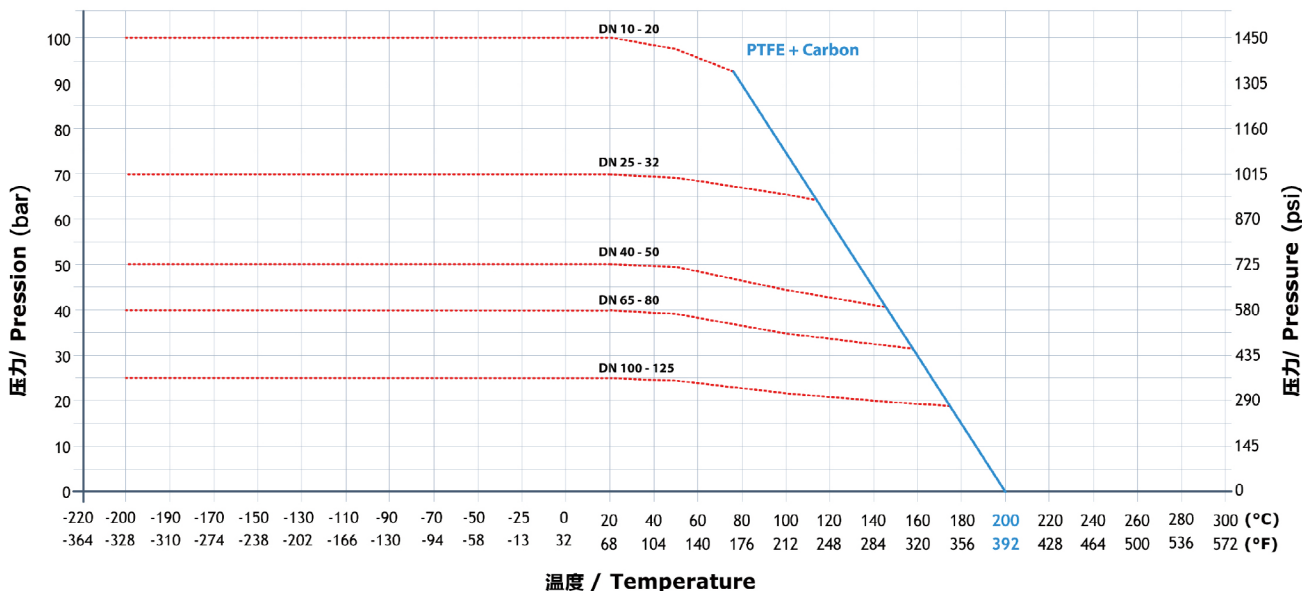
316L, 904L, 304L, 合金材质
 标准型
 在阀球上与阀杆连接处钻孔, 用于阀门腔体泄压。
 上游泄压孔用于阀门关闭位置时阀腔泄压。
 认证
 PED 97 / 23 / EC
 TA-Luft (逃逸泄露)
 AD 2000 Merkblatt
 可选项
 ATEX 94 / 9 / EC
 遵照 2010 / 35 / UE TPED认证打上 p 标识
 ADR § 1.8.7.6 认证

Technical data

PY4 : TF 3215 seats (PTFE + Carbon).
 Temperature range: -200° C / +200° C
 Version without extension for applications without risk of freezing.

316L, 904L, 304L, Alloy version.
 Standard version:
 Ball drilling in the stem mark for cavity relief in the open position. Upstream vent hole for cavity relief in the closed position.
 Approvals:
 PED 97/23/CE
 TA-Luft (fugitive emissions)
 AD2000 Merkblatt
 Options:
 ATEX 94/9/CE
 π marking according to 2010/35/UE TPED:
 certification ADR §1.8.7.6

压力 / 温度图 Pressure/Temperature diagrams



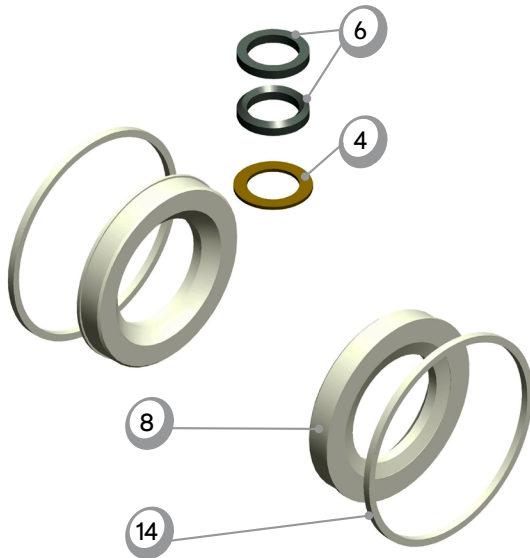
----- 阀门正常操作的最大压差
 ———— 阀门正常操作的最大压差
 所以数据基于阀门的口径尺寸

----- mechanical strength of body
 ———— mechanical strength of seats
 All values are given for full bore size.

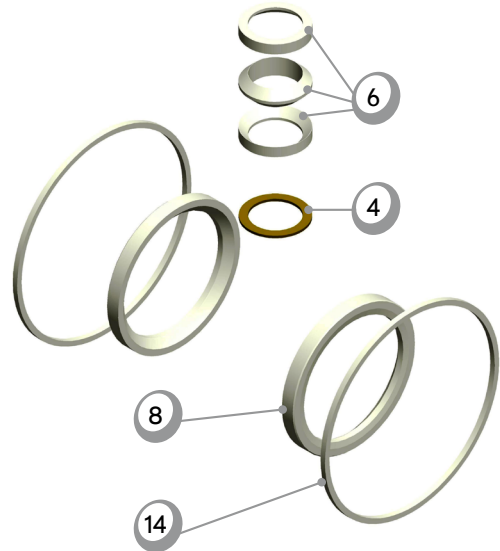
阀座及密封材料
SEATS & SEALINGS MATERIAL

DN 08 到 DN 50 | Size 1/4" to 2"

DN 65 到 DN 200 | Size 2"1/2 to 8"



- 8 • 2 个阀座
- 14 • 2 个阀体密封
- 6 • 1 组填料: DN 12 - DN 50 = 2 个部件
DN 65 - DN 200 = 3 个部件
- 4 • 1 个阀杆密封



- 8 • 2 seats
- 14 • 2 body gaskets
- 6 • 1 gland-packing: size 3/8" to 2" = 2 parts
size 2"1/2 to 8" = 3 parts
- 4 • 1 stem thrust seat

编号-阀门型号 Item - Valve type	04	06	08	14
PS4 DN 08 到 DN 50 / PS4 DN 1/4" to DN 2"				
PH4	超高分子量聚乙烯 UHMWPE	超高分子量聚乙烯 UHMWPE	超高分子量聚乙烯 UHMWPE	超高分子量聚乙烯 UHMWPE
PJ4	PTFE 20% PEEK 20%PEEK PTFE	氟素硅胶 Fluorosilicone	TFM 1600	氟素硅胶 Fluorosilicone
PN4	PTFE 20% PEEK 20%PEEK PTFE	PTFE 33%碳+2%石墨 33% C+2% Gr PTFE	TFM 1600	PTFE
PP4	PEEK	PTFE 33%碳+2%石墨 33% C+2% Gr PTFE	PEEK	PTFE
PS4	PTFE 20% PEEK 20%PEEK PTFE	PTFE 33%碳+2%石墨 33% C+2% Gr PTFE	TFM 1600	PTFE
PY4	PTFE 20% PEEK 20%PEEK PTFE	PTFE 33%碳+2%石墨 33% C+2% Gr PTFE	PTFE+碳 PTFE+Carbon	PTFE
PZ4	PTFE 20% PEEK 20%PEEK PTFE	PTFE 33%碳+2%石墨 33% C+2% Gr PTFE	PTFE 20% PEEK 20%PEEK PTFE	PTFE
PS4 DN65 到 DN200 / PS4 DN 2"1/2 to DN 8"				
PH4	超高分子量聚乙烯 UHMWPE	超高分子量聚乙烯 UHMWPE	超高分子量聚乙烯 UHMWPE	超高分子量聚乙烯 UHMWPE
PJ4	PTFE 20% PEEK 20%PEEK PTFE	氟素硅胶 Fluorosilicone	TFM 1600	氟素硅胶 Fluorosilicone
PN4	PTFE 20% PEEK 20%PEEK PTFE	PTFE	TFM 1600	PTFE
PP4	PEEK	PTFE	PEEK	PTFE
PS4	PTFE 20% PEEK 20%PEEK PTFE	PTFE	TFM 1600	PTFE
PY4	PTFE 20% PEEK 20%PEEK PTFE	PTFE	PTFE+碳 PTFE+Carbon	PTFE
PZ4	PTFE 20% PEEK 20%PEEK PTFE	PTFE	PTFE 20% PEEK 20%PEEK PTFE	PTFE

Kv值-产品编码 Kv VALUES - CODIFICATION

Kv值 | Kv VALUES

通径 / Full bore

DN	管道尺寸 Size	ΔP= 1 bar Kv (m ³ /h)	ΔP=0.001 bar 流量 / flow (m ³ /h)
8	1/4"	6	0.19
12	3/8"	8	0.25
15	1/2"	13	0.40
20	3/4"	26	0.81
25	1"	46	1.47
32	1"1/4"	82	2.59
40	1"1/2"	120	3.81
50	2"	223	7.07
65	2"1/2"	423	13.37
80	3"	617	19.52
100	4"	1154	36.49
125	5"	1883	59.56
150	6"	2844	89.95

缩径 / Reduced bore

DN	管道尺寸 Size	ΔP= 1 bar Kv (m ³ /h)	ΔP=0.001 bar 流量 / flow (m ³ /h)
15	1/2"	8	0.25
20	3/4"	13	0.40
25	1"	26	0.81
32	1"1/4"	46	1.47
40	1"1/2"	82	2.59
50	2"	120	3.81
65	2"1/2"	223	7.07
80	3"	397	12.56
100	4"	560	17.71
125	5"	942	29.80
150	6"	1433	45.32
200	8"	2011	63.60

流量系数: Kv

$$Kv = Q \cdot \sqrt{d / \Delta P} \text{ m}^3/\text{h}$$

ΔP = 压差 (bar)

Q = 流量 (m³/h)

d = 密度

$$\Delta P = d(Q / Kv)^2$$

$$Q = Kv \cdot \sqrt{\Delta P / d}$$

Flow coefficient: Kv

$$Kv = Q \cdot \sqrt{d / \Delta P} \text{ in m}^3/\text{h}$$

ΔP = pressure drop in bar

Q = flow in volum in m³/h

d = density

$$\Delta P = d(Q / Kv)^2$$

$$Q = Kv \cdot \sqrt{\Delta P / d}$$

编码 | CODIFICATION

阀座 Seats		阀体法兰 Body flange		连接端 Connection		径 Bore		材质 Material	
PS4	TFM 1600	L	活套端子 Loose ends	BW	对焊 Butt Welding	V	缩径 Reduced bore	A	碳钢 Carbon steel
PZ4	PTFE 20% PEEK 20% PEEK PTFE	T	嵌装式 Flush mounted	CL	卡箍 Clamp ends	N	通径 Full bore	I	不锈钢 316L Stainless steel 316L
PP4	PEEK			DB	卡套接头 Compression fittings	T	全通径 True Bore	F	低铁素体(含量)<1% Low Ferrite < 1%
PN4	TFM 1600			FB	3/8" NPSM	S	反径 Inverted	U	不锈钢 904L Stainless steel 904L
PY4	Cryo special			FC	罐底焊接 Tank bottom			H	哈氏合金 C22 Hastelloy C22
PJ4	TFM 1600			SW	承插焊 Socket Welding			J	不锈钢 304L Stainless steel 304L
PH4	超高分子量聚乙烯 UHMWPE			TB	NPT螺纹 NPT threaded			D	超级双相不锈钢 Super Duplex 1.4410
				TG	BSP螺纹 BSP threaded			C	双相不锈钢 Duplex 1.4462
				O4	轨道自动焊 Orbital welding				

可定制

-混合连接方式

-其他材质

-特殊连接端

Upon request

- Mix of connections

- other materials

- specific ends

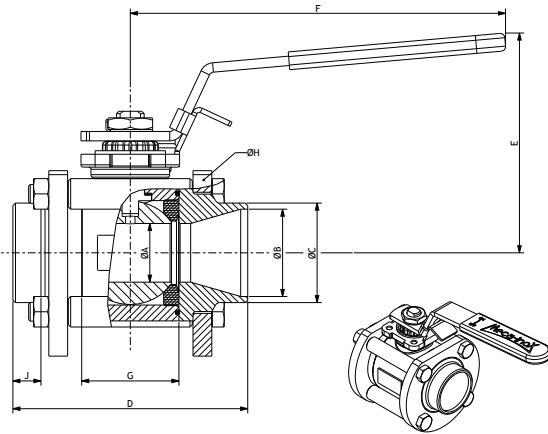
连接端类型
TYPE OF CONNECTIONS

对焊

DN 15 到 DN 65
缩径
ISO 管道标准

Butt Weld

Size 1/2" to 2 1/2"
Reduced bore
ISO pipe

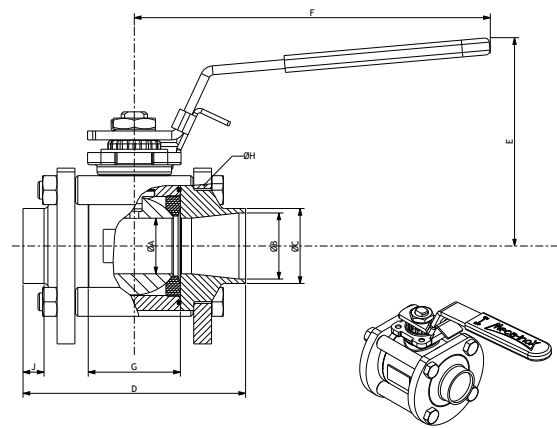


对焊

DN 08 到 DN 50
通径
ISO 管道标准

Butt Weld

Size 1/4" to 2"
Full bore
ISO pipe



尺寸 Size	PN	Ø A	Ø B		Ø C	D	E	F	G	Ø H	J	ISO 5211	重量(公斤) Weight (Kg)	
			不锈钢 S.Steel	碳钢 C.Steel										
V · 缩径 / Reduced bore														
15	1/2"	100	11.1	17.3	15.5	21.3	65	70	120	20.4	56	8.5	F03	0.650
20	3/4"	100	14	22.9	20.5	26.9	70	73	120	24.4	63	8.8	F03	0.800
25	1"	100	19	29.7	27.3	33.7	85	91	160	31.6	80	9.1	F04	1.610
32	1 1/4"	70	25	37.2	34.4	42.4	100	95	160	41.4	88	11.9	F04	2.100
40	1 1/2"	70	32	43.1	40.3	48.3	110	111	190	48.2	104	10.9	F05	3.120
50	2"	50	38	54.5	52.3	60.3	125	116	190	56.2	117	14.1	F05	4.300
65	2 1/2"	50	50	70.3	66.1	76.1	150	137	230	71	148	13.2	F07	8.590
N · 通径 / Full bore														
08	1/4"	100	11.1	9.5	8.9	13.5	65	70	120	20.4	56	6.4	F03	0.640
12	3/8"	100	11.1	13.2	12.6	17.2	65	70	120	20.4	56	7.3	F03	0.640
15	1/2"	100	14	17.3	15.5	21.3	70	73	120	24.4	63	7.3	F03	0.800
20	3/4"	100	19	22.9	20.5	26.9	85	91	160	31.6	80	7.2	F04	1.610
25	1"	70	25	29.7	27.3	33.7	100	95	160	41.4	88	9.4	F04	2.080
32	1 1/4"	70	32	37.2	34.4	42.4	110	111	190	48.2	104	9.2	F05	3.310
40	1 1/2"	50	38	43.1	40.3	48.3	125	116	190	56.2	117	10.7	F05	4.270
50	2"	50	50	54.5	52.3	60.3	150	137	230	71	148	8.6	F07	8.690

连接端类型 TYPE OF CONNECTIONS

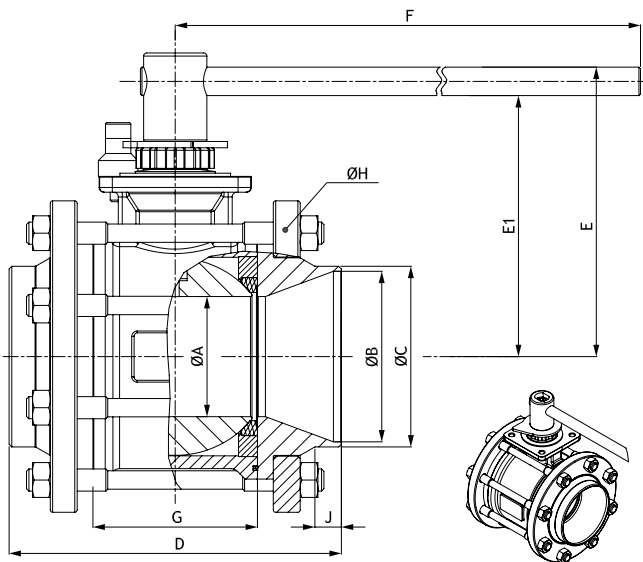
3-PCS

对焊

DN 80 到 DN 200
缩径
ISO 管道标准

Butt Weld

Size 3" to 8"
Reduced bore
ISO pipe

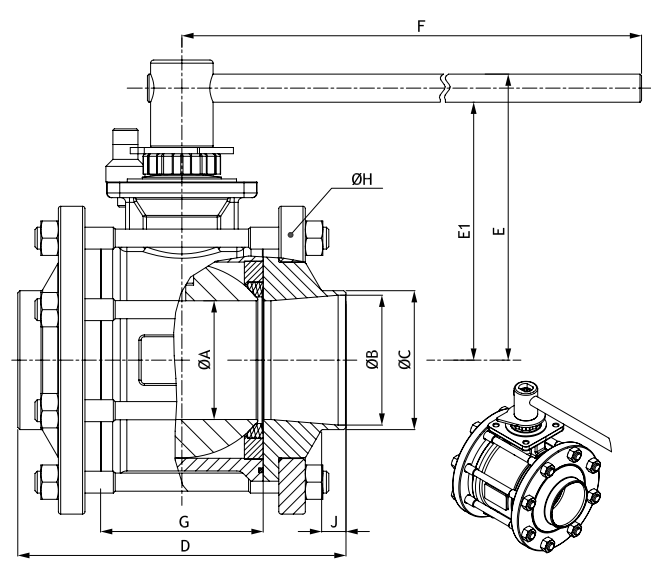


对焊

DN 65 到 DN 150
通径
ISO 管道标准

Butt Weld

Size 2"1/2 to 6"
Full bore
ISO pipe



尺寸 Size	PN	Ø A	Ø B		Ø C	D	E	E1	F	G	Ø H	J	ISO 5211	重量(公斤) Weight (Kg)	
			不锈钢 S.Steel	碳钢 C.Steel											
V · 缩径 / Reduced bore															
80	3"	40	64	83.1	78.9	88.9	180	171	153	370	84	174	12.8	F07	14.840
100	4"	40	76	107.9	101.7	114.3	210	182	165	440	104	197	16.4	F10	22.310
125	5"	25	100	133.7	131.7	139.7	230	204	184	505	130	236	12.9	F10	33.980
150	6"	25	125	162.3	159.3	168.3	260	248	221	710	157	288	11.6	F12	57.940
200	8"	16	150	211.5	207.9	219	290	270	243	710	185	324	12.1	F12	78.900
N · 通径 / Full bore															
65	2"1/2	40	64	70.3	66.3	76.1	180	171	153	370	84	174	14.4	F07	14.800
80	3"	40	76	83.1	78.9	88.9	210	182	165	440	104	197	14.9	F10	22.510
100	4"	25	100	107.9	101.7	114.3	230	204	184	505	130	236	12.7	F10	34.360
125	5"	25	125	133.7	131.7	139.7	260	248	221	710	157	288	12.6	F12	58.430
150	6"	16	150	162.3	159.3	168.3	290	270	243	710	185	324	10.9	F12	80.860

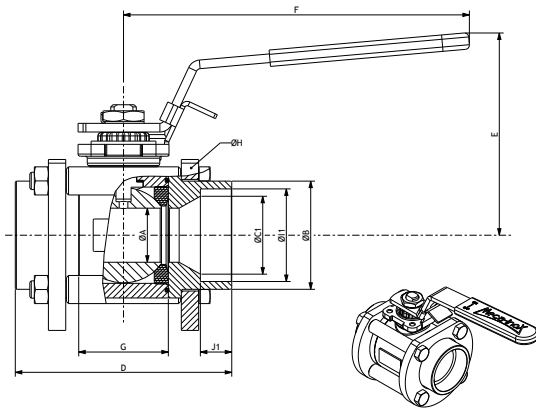
连接端类型
TYPE OF CONNECTIONS

承插焊

DN 15 到 DN 65
缩径
ISO 管道标准

Socket Weld

Size 1/2" to 2"1/2
Reduced bore
ISO pipe

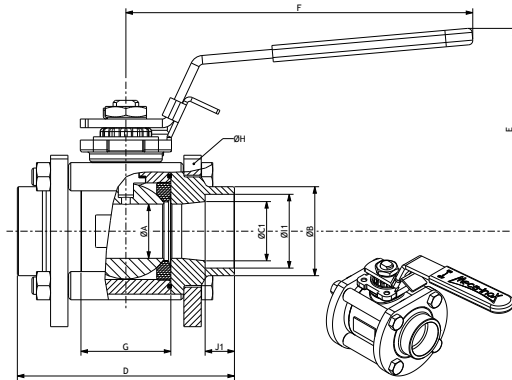


承插焊

DN 08 到 DN 50
通径
ISO 管道标准

Socket Weld

Size 1/4" to 2"
Full bore
ISO pipe



尺寸 Size	PN	Ø A	Ø B	Ø C1	D	E	F	G	Ø H	Ø I1	J1	ISO 5211	重量(公斤) Weight (Kg)	
V · 缩径 / Reduced bore														
15	1/2"	100	11.1	27.0	16.1	65	70	120	20.4	56	21.9	10.5	F03	0.650
20	3/4"	100	14	33.0	21.7	70	73	120	24.4	63	27.3	13.5	F03	0.810
25	1"	100	19	42.0	27.3	85	91	160	31.6	80	34.0	13.5	F04	1.610
32	1"1/4	70	25	50.0	36.0	100	95	160	41.4	88	42.8	14.5	F04	2.080
40	1"1/2	70	32	56.0	41.9	110	111	190	48.2	104	48.9	16.0	F05	3.270
50	2"	50	38	69.0	53.1	125	116	190	56.2	117	61.3	17.5	F05	4.220
65	2"1/2	50	50	85.0	68.9	150	137	230	71	148	77.1	19.0	F07	8.380
N · 通径 / Full bore														
08	1/4"	100	11.1	19.6	11.1	65	70	120	20.4	56	14.3	10.5	F03	0.650
12	3/8"	100	11.1	24.0	12.6	65	70	120	20.4	56	17.8	10.5	F03	0.650
15	1/2"	100	14	29.0	16.1	70	73	120	24.4	63	21.9	10.5	F03	0.810
20	3/4"	100	19	34.3	21.7	85	91	160	31.6	80	27.3	13.5	F04	1.610
25	1"	70	25	41.0	27.3	100	95	160	41.4	88	34.0	13.5	F04	2.110
32	1"1/4	70	32	49.8	36.0	110	111	190	48.2	104	42.8	14.5	F05	3.320
40	1"1/2	50	38	55.9	41.9	125	116	190	56.2	117	48.9	16.0	F05	4.270
50	2"	50	50	69.2	53.1	150	137	230	71	148	61.3	17.5	F07	8.640

连接端类型 TYPE OF CONNECTIONS

3-PCS

承插焊

DN 80 到 DN 200

缩径
ISO 管道标准

Socket Weld

Size 3" to 8"
Reduced bore
ISO pipe

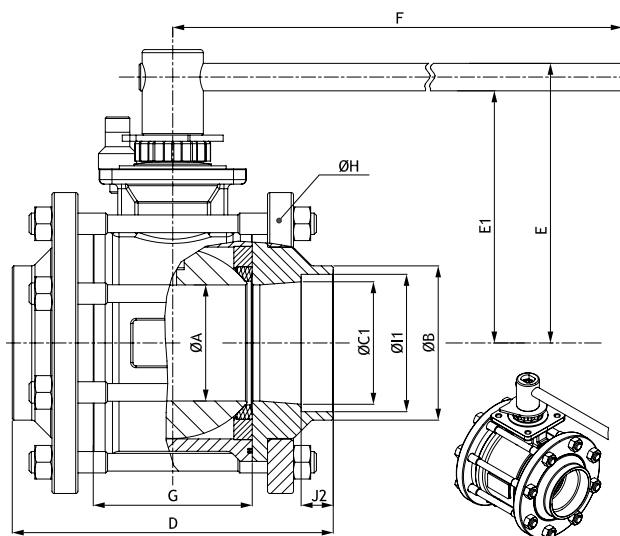
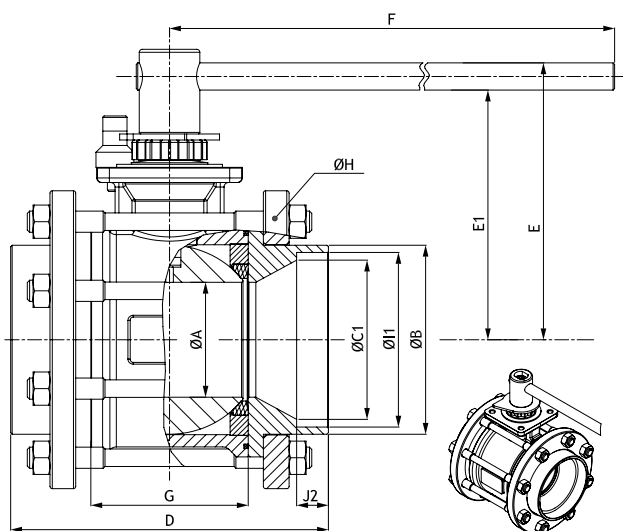
承插焊

DN 65 到 150

通径
ISO 管道标准

Socket Weld

Size 2"1/2 to 6"
Full bore
ISO pipe



尺寸 Size	PN	Ø A	Ø B	Ø C1	D	E	E1	F	G	Ø H	Ø I1	J2	ISO 5211	重量(公斤) Weight (Kg)	
V · 缩径 / Reduced bore															
80	3"	40	64	101	81	180	171	153	370	84	174	89.9	21	F07	14.700
100	4"	40	76	125	105.3	210	182	165	440	104	197	115.5	21	F10	22.010
125	5"	25	100	148.5	135	230	204	184	505	130	236	141.3	24	F10	32.820
150	6"	25	125	177.5	164	260	248	221	710	157	288	171.3	24	F12	56.140
200	8"	16	150	229	214	290	270	243	710	185	324	221.8	30	F12	74.290
N · 通径 / Full bore															
65	2"1/2	40	64	87	69	180	171	153	370	84	174	77.6	19	F07	14.890
80	3"	40	76	101	81	210	182	165	440	104	197	89.9	21	F10	22.750
100	4"	25	100	127.5	105.3	230	204	184	505	130	236	115.5	21	F10	34.35
125	5"	25	125	148.5	135	260	248	221	710	157	288	141.3	24	F12	57.120
150	6"	16	150	177.5	164	290	270	243	710	185	324	171.3	24	F12	80.040

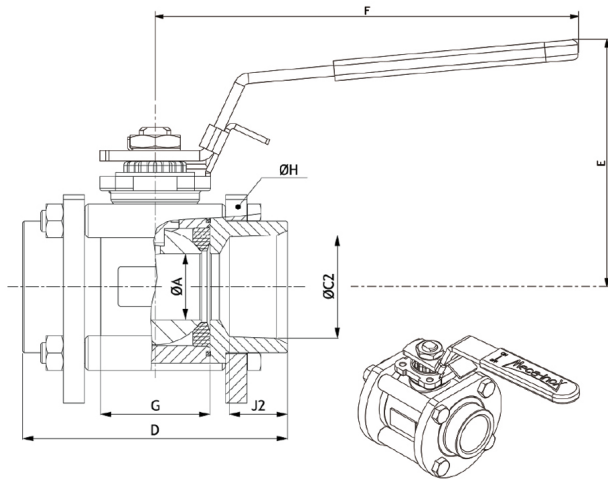
连接端类型
TYPE OF CONNECTIONS

BSP (TG) & NPT (TB) 螺纹连接

DN 15 到 DN 65
缩径

BSP (TG) & NPT (TB) thread

Size 1/2" to 2" 1/2
Reduced bore

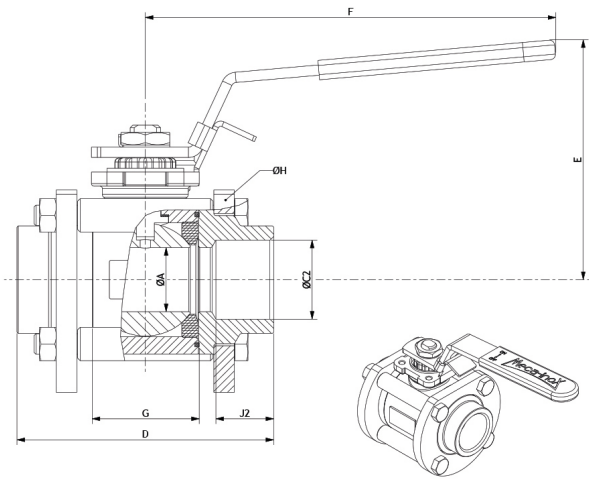


BSP (TG) & NPT (TB) 螺纹连接

DN 08 到 DN 50
通径

BSP (TG) & NPT (TB) thread

Size 1/4" to 2"
Full bore



尺寸 Size	PN	Ø A	Ø C2		D	E	F	G	Ø H	J2	ISO 5211	重量(公斤) Weight (Kg)	
			GAZ BSP "P"	NPT NPT									
V · 缩径 / Reduced bore													
15	1/2"	100	11.1	1/2"	1/2"	65	70	120	20.4	56	16	F03	0.640
20	3/4"	100	14	3/4"	3/4"	70	73	120	24.4	63	16	F03	0.800
25	1"	100	19	1"	1"	85	91	160	31.6	80	20	F04	1.600
32	1" 1/4	70	25	1" 1/4	1" 1/4	100	95	160	41.4	88	22	F04	2.050
40	1" 1/2	70	32	1" 1/2	1" 1/2	110	111	190	48.2	104	22	F05	3.270
50	2"	50	38	2"	2"	125	116	190	56.2	117	25	F05	4.160
65	2" 1/2	50	50	2" 1/2	2" 1/2	150	137	230	71	148	30	F07	7.730
N · 通径 / Full bore													
08	1/4"	100	11.1	1/4"	1/4"	65	70	120	20.4	56	12	F03	0.700
12	3/8"	100	11.1	3/8"	3/8"	65	70	120	20.4	56	12	F03	0.680
15	1/2"	100	14	1/2"	1/2"	70	73	120	24.4	63	16	F03	0.980
20	3/4"	100	19	3/4"	3/4"	85	91	160	31.6	80	16	F04	1.690
25	1"	70	25	1"	1"	100	95	160	41.4	88	20	F04	2.120
32	1" 1/4	70	32	1" 1/4	1" 1/4	110	111	190	48.2	104	22	F05	3.320
40	1" 1/2	50	38	1" 1/2	1" 1/2	125	116	190	56.2	117	22	F05	4.380
50	2"	50	50	2"	2"	150	137	230	71	148	25	F07	8.840

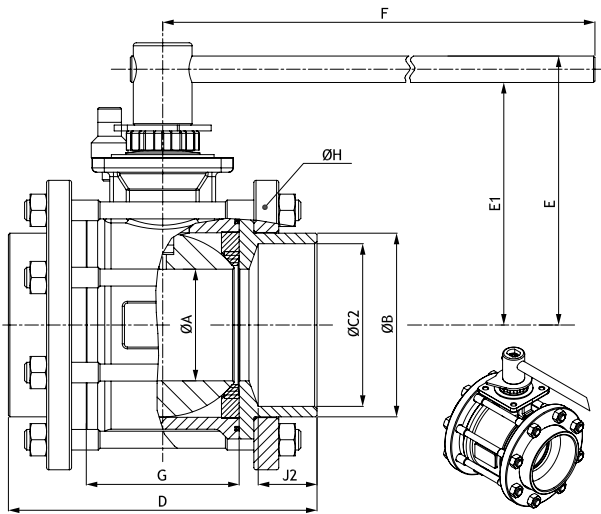
连接端类型 TYPE OF CONNECTIONS

BSP (TG) & NPT (TB) 螺纹连接

DN 80 到 DN 100
缩径

BSP (TG) & NPT (TB) thread

Size 3" to 4"
Reduced bore

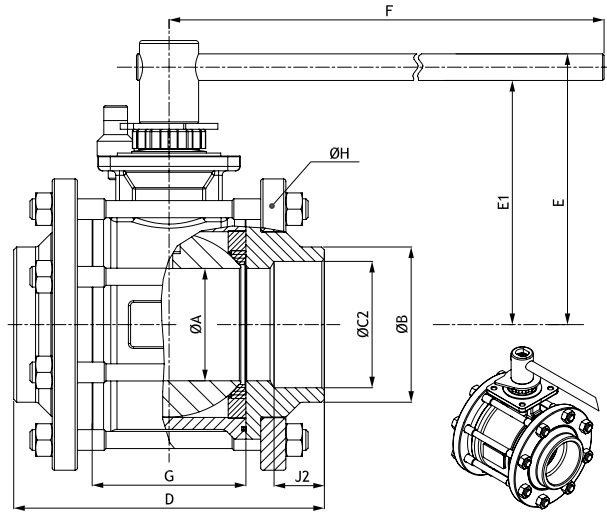


BSP (TG) & NPT (TB) 螺纹连接

DN 65 到 DN 100
通径

BSP (TG) & NPT (TB) thread

Size 2"1/2 to 4"
Full bore



尺寸 Size	PN	Ø A	Ø B	Ø C2		D	E	E1	F	G	Ø H	J2	ISO 5211	重量(公斤) Weight (Kg)	
				GAZ BSP "P"	NPT NPT										
V · 缩径 / Reduced bore															
80	3"	40	64	107	3"	3"	180	171	153	370	84	174	34	F07	14.940
100	4"	40	76	125	4"	4"	210	182	165	440	104	197	40	F10	21.590
N · 通径 / Full bore															
65	2"1/2	40	64	85	2"1/2	2"1/2	180	171	153	370	84	174	31	F07	15.000
80	3"	40	76	105	3"	3"	210	182	165	440	104	197	34	F10	22.950
100	4"	25	100	130	4"	4"	230	204	184	505	130	236	40	F10	34.740

连接端类型
TYPE OF CONNECTIONS

卡套接头

DN 06 到 DN 18

通径

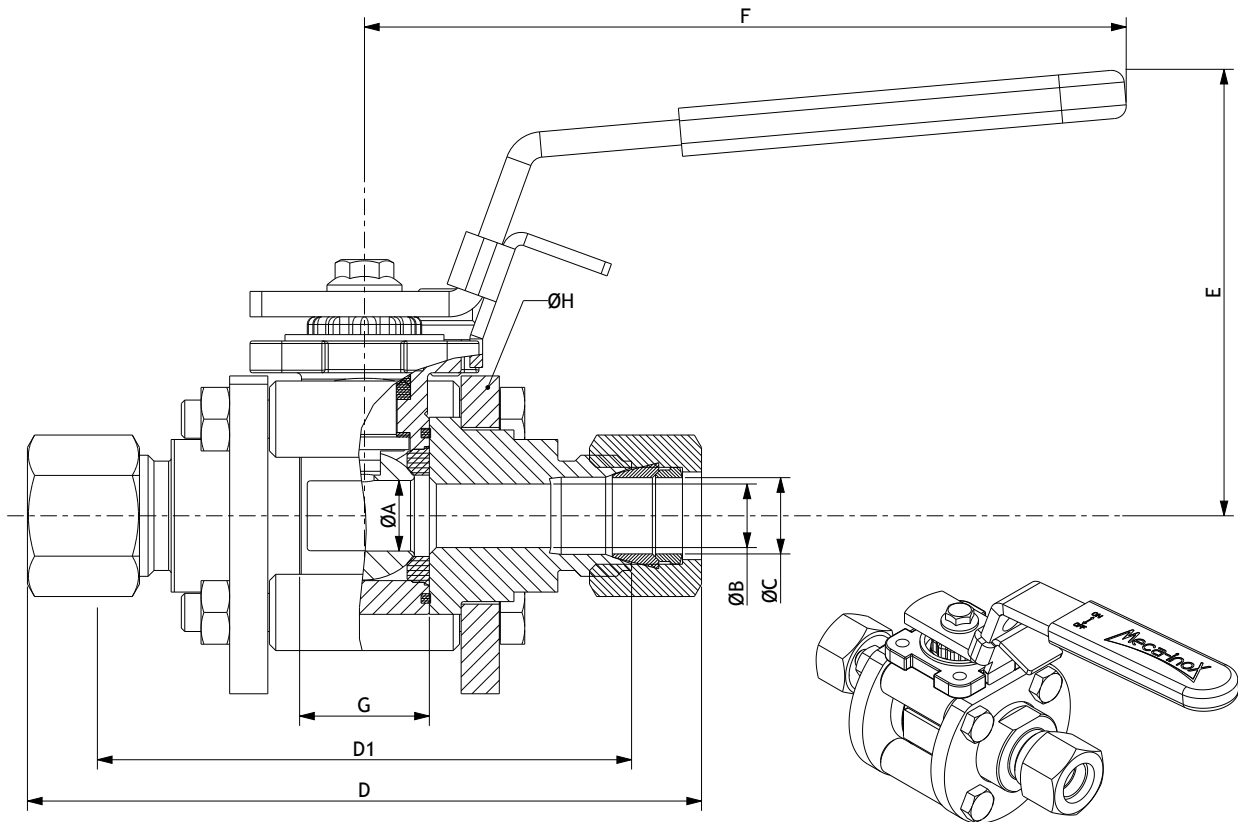
阀门安装更加容易，快捷
(螺母锁紧，无需焊接管路)

Compression fittings

Size 06 to 18

Full bore

Fast and easy valve installation
(nut screwing without welding)



尺寸 Size	PN	Ø A	Ø B	Ø C	D	D1	E	F	G	Ø H	ISO 5211
06	100	11.1	4.8	OD 6	98	83.2	70	120	20.4	56	F03
08	100	11.1	6.4	OD 8	98	83	70	120	20.4	56	F03
10	100	11.1	7.9	OD 10	99.6	84.4	70	120	20.4	56	F03
12	100	11.1	9.8	OD 12	104.7	84.5	70	120	20.4	56	F03
1/2"(OD)	100	11.1	9.8	OD 1/2"	104.7	84.5	70	120	20.4	56	F03
18	100	14	14	OD 18	113.8	93.6	73	120	24.4	63	F03

连接端类型 TYPE OF CONNECTIONS

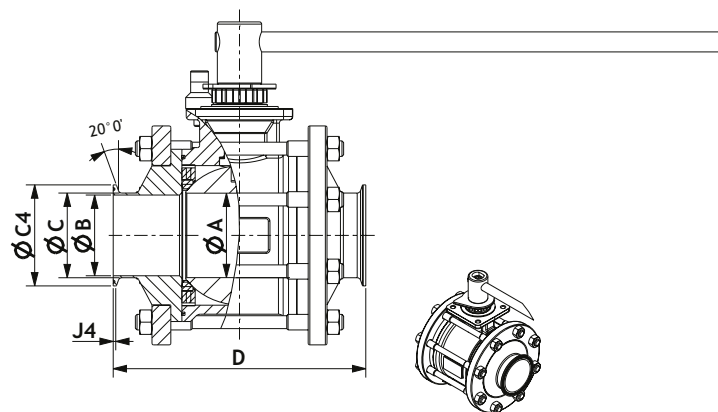
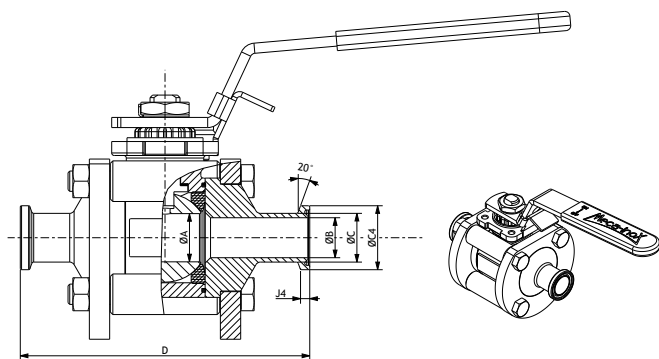
3-PCS

卡箍式连接端

DN 08 到 DN 150

Triclamp ends

Size 1/4" to 6"



可定制: 可以根据要求定制
ISO / DIN / BSOD / SMS / MICRO-CLAMP / KF

On request: following dimensions standards:
ISO / DIN / BSOD / SMS / MICRO-CLAMP / KF

尺寸 Size	ØA	D	J4	ISO (2004)			DIN (11850 Row2)			BSOD			SMS (3008)			
				ØB	ØC	ØC4	ØB	ØC	ØC4	ØB	ØC	ØC4	ØB	ØC	ØC4	
08	1/4"	11.1	89	2.85	10.3	13.5	25	8	10	25	4.62	6.4	25	8	10	25
12	3/8"	11.1	89	2.85	14	17.2	25	10	12	25	-	-	-	10	12	25
15	1/2"	14	101	2.85	18.1	21.3	50.5	16	19	50.5	10.92	12.7	25	16	18	50.5
20	3/4"	19	114	2.85	23.7	26.9	50.5	20	23	50.5	15.75	19.05	25	20	22	50.5
25	1"	25	114	2.85	29.7	33.7	50.5	26	29	50.5	22.1	25.4	50.5	22.6	25	50.5
32	1"1/4	32	139	2.85	41.4	45.4	64	32	35	50.5	-	-	-	31.3	33.7	64
40	1"1/2	38	159	2.85	44.3	48.3	64	38	41	50.5	34.8	38.1	50.5	35.6	38	64
50	2"	50	164	2.85	56.3	60.3	77.5	50	53	64	47.5	50.8	64	48.6	51	77.5
65	2"1/2	65	202	2.85	71.5	76.1	91	66	70	91	60.2	63.5	77.5	60.3	63.5	91
80	3"	76	228	2.85	84.3	88.9	106	81	85	106	72.9	76.2	91	72.9	76.1	106
100	4"	100	256	2.85	-	-	-	100	104	119	97.4	101.6	119	-	-	-
125	5"	125	309	5.6	-	-	-	-	-	-	-	-	-	-	-	-
150	6"	150	337	5.6	-	-	-	-	-	-	-	-	-	-	-	-

连接端类型
TYPE OF CONNECTIONS

轨道自动焊

DN 08 到 DN 50

通径

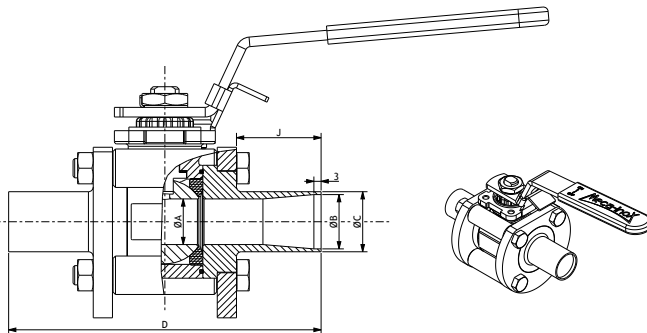
ISO 管道标准

Orbital welding

Size 1/4" to 2"

Full bore

ISO pipe



可选项：其他尺寸可定制

尺寸 Size	PN	ØA	ØB	ØC	D	J
08 1/4"	100	11.1	10.3	13.5	113	35
12 3/8"	100	11.1	14	17.2	113	35
15 1/2"	100	14	18.1	21.3	117	35
20 3/4"	100	19	23.7	26.9	130	35
25 1"	70	25	29.7	33.7	140	35
32 1 1/4"	70	32	38.4	42.4	151	35
40 1 1/2"	50	38	44.3	48.3	159	35
50 2"	50	50	56.3	60.3	185	35

轨道自动焊

DN 65 到 DN 150

通径

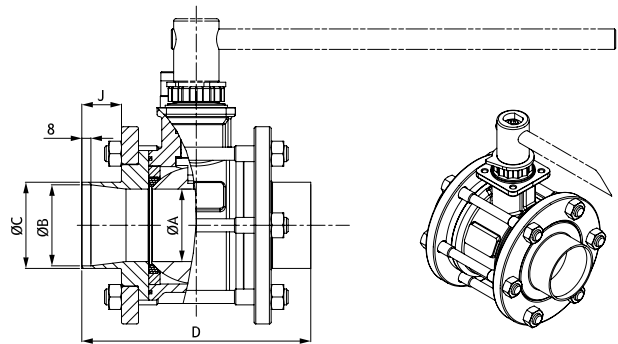
ISO 管道标准

Orbital welding

Size 2 1/2" to 6"

Full bore

ISO pipe



On request : other sizes available

尺寸 Size	PN	ØA	ØB	ØC	D	J
65 2 1/2"	40	64	70.3	76.1	202	35
80 3"	40	76	83.1	88.9	228	35
100 4"	25	100	107.9	114.3	256	35
125 5"	25	125	133.7	139.7	291	35
150 6"	16	150	162.3	168.3	323	35

连接端类型 TYPE OF CONNECTIONS

其它管道标准

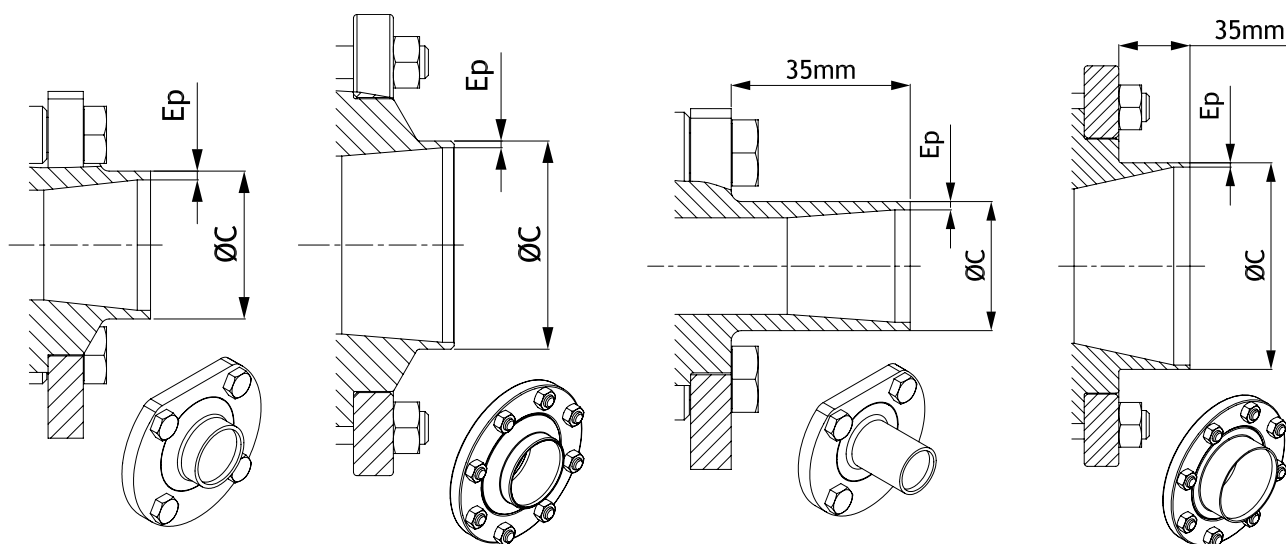
DN 08 到 DN 200

Other pipe standards

Size 1/4" to 8"

对焊 - BW
Butt weld - BW

轨道自动焊 - O4
Orbital welding - O4



尺寸 Size	DN															
	8		12		15		20		25		32		40		50	
	外径 OD	厚度 tk	外径 OD	厚度 tk	外径 OD	厚度 tk	外径 OD	厚度 tk	外径 OD	厚度 tk	外径 OD	厚度 tk	外径 OD	厚度 tk	外径 OD	厚度 tk
ISO	13.5	2	17.2	2	21.3	2	26.9	2	33.7	2	42.4	2.6	48.3	2.6	60.3	2.9
Métrique	10	1	12	1	18	1	23	1	28	1.5	34	2	44	2	54	2
SMS 3008	10	1	12	1	18	1	23	1	25	1.2	33.7	1.2	38	1.2	51	1.2
DIN 11850 R2	-	-	13	1.5	19	1.5	23	1.5	29	1.5	35	1.5	41	1.5	53	1.5
Schedule 10S	13.72	1.65	17.15	1.65	21.34	2.11	26.67	2.11	33.4	2.77	42.16	2.77	48.26	2.77	60.33	2.77
Schedule 40S	13.72	2.24	17.15	2.31	21.34	2.77	26.67	2.87	33.4	3.38	42.16	3.56	48.26	3.68	60.33	3.91
BSOD	6.35	1.65	9.52	1.65	12.7	1.65	19.05	1.65	25.4	1.65	31.75	1.65	38.1	1.65	50.8	1.65

尺寸 Size	DN													
	65		80		100		125		150		200			
	外径 OD	厚度 tk	外径 OD	厚度 tk	外径 OD	厚度 tk	外径 OD	厚度 tk	外径 OD	厚度 tk	外径 OD	厚度 tk		
ISO	76.1	2.9	88.9	2.9	114.3	3.2	139.7	3	168.3	3	219.1	3.8		
Métrique	68	1.5	83	1.5	104	2	129	2	154	2	204	2		
SMS 3008	63.5	1.6	76.1	1.6	101.6	2	-	-	-	-	-	-		
DIN 11850 R2	70	2	85	2	104	2	129	2	154	2	-	-		
Schedule 10S	73.03	3.05	88.9	3.05	114.3	3.05	141.3	3.4	168.28	3.4	219.08	3.76		
Schedule 40S	73.03	5.15	88.9	5.49	114.3	6.02	141.3	6.55	168.28	7.11	219.08	8.18		
BSOD	63.5	1.65	76.2	1.65	101.6	2.1	-	-	-	-	-	-		

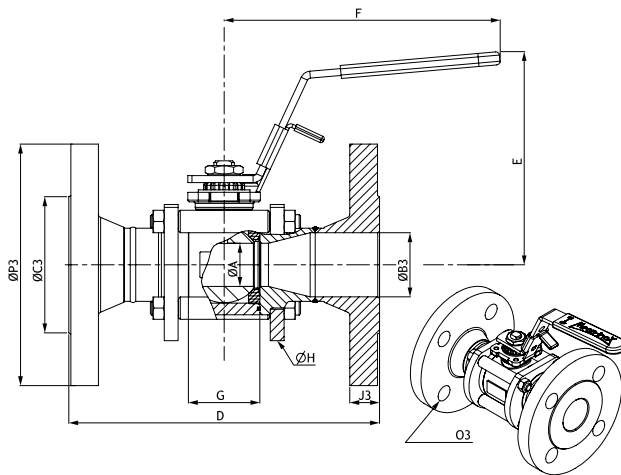
连接端类型
TYPE OF CONNECTIONS

法兰连接

DN 15 到 DN 65
缩径 - PN 40

Flanged

Size 1/2" to 2"1/2
Reduced bore - PN40

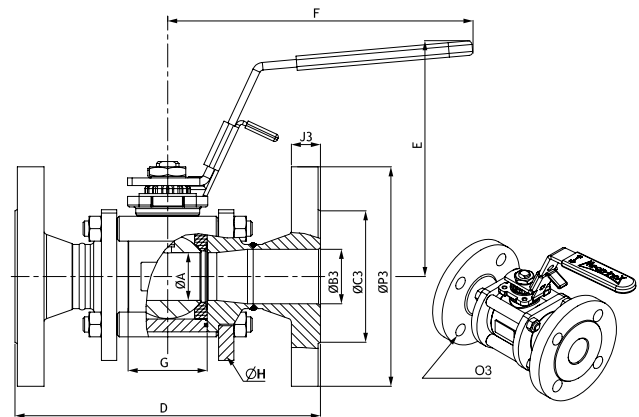


法兰连接

DN 15 到 DN 50
通径 - PN 40

Flanged

Size 1/2" to 2"
Full bore - PN40



尺寸 Size	PN	Ø A	Ø B3	Ø C3	D	E	F	G	Ø H	J3	O3	Ø P3	ISO 5211	重量(公斤) Weight (Kg)	
V · 缩径 / Reduced bore															
15	1/2"	40	11.1	17.3	45	130	123	120	20.4	56	16	4xØ14 / Ø65	95	F03	1.930
20	3/4"	40	14	22.3	58	150	126	120	24.4	63	18	4xØ14 / Ø75	105	F03	2.690
25	1"	40	19	28.5	68	160	145	160	31.6	80	18	4xØ14 / Ø85	115	F04	3.910
32	1"1/4	40	25	37.2	78	180	149	160	41.4	88	18	4xØ18 / Ø100	140	F04	5.490
40	1"1/2	40	32	43.1	88	200	160	190	48.2	104	18	4xØ18 / Ø110	150	F05	7.120
50	2"	40	38	54.5	102	230	165	190	56.2	117	20	4xØ18 / Ø125	165	F05	9.440
65	2"1/2	40	50	70.3	122	290	180	230	71	148	22	8xØ18 / Ø145	185	F07	15.370
N · 通径 / Full bore															
15	1/2"	40	14	17.3	45	130	126	120	24.4	63	16	4xØ14 / Ø65	95	F03	2.250
20	3/4"	40	19	22.3	58	150	145	160	31.6	80	18	4xØ14 / Ø75	105	F04	3.470
25	1"	40	25	28.5	68	160	149	160	41.4	88	18	4xØ14 / Ø85	115	F04	4.330
32	1"1/4	40	32	37.2	78	180	160	190	48.2	104	18	4xØ18 / Ø100	140	F05	6.880
40	1"1/2	40	38	43.1	88	200	165	190	56.2	117	18	4xØ18 / Ø110	150	F05	8.080
50	2"	40	50	54.5	102	230	180	230	71	148	20	4xØ18 / Ø125	165	F07	13.890

连接端类型 TYPE OF CONNECTIONS

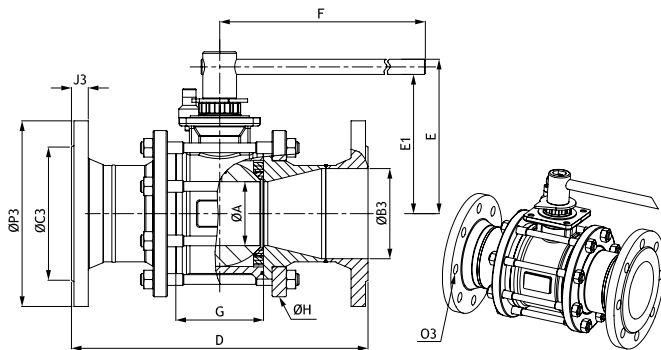
3-PCS

法兰连接

DN 80 到 DN 200
缩径

Flanged

Size 3" to 8"
Reduced bore

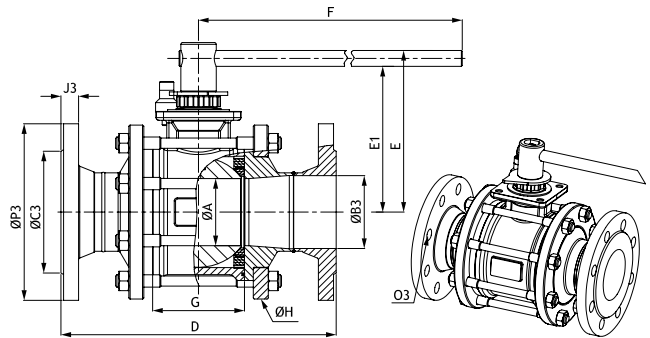


法兰连接

DN 65 到 DN 150
通径

Flanged

Size 2"1/2 to 6"
Full bore



尺寸 Size	PN	Ø A	Ø B	Ø C3	D	E	E1	F	G	Ø H	J3	O3	P3	ISO 5211	重量(公斤) Weight (Kg)	
V · 缩径 / Reduced bore																
80	3"	40	64	82.5	138	310	171	153	370	84	174	24	8xØ18 / Ø160	200	F07	22.920
100	4"	16	76	107.1	162	350	182	165	440	104	197	24	8xØ22 / Ø190	235	F10	39.520
125	5"	16	100	131.7	188	400	204	184	505	130	236	22	8xØ18 / Ø210	250	F10	48.720
150	6"	16	125	159.3	212	480	248	221	710	155	288	22	8xØ22 / Ø240	285	F12	79.450
200	8"	16	150	207.3	268	600	270	243	710	183	324	24	12xØ22 / Ø295	340	F12	120.810
N · 通径 / Full bore																
65	2"1/2	40	64	70.3	122	290	171	153	370	84	174	22	8xØ18 / Ø145	185	F07	20.840
80	3"	40	76	82.5	138	310	182	165	440	104	197	24	8xØ18 / Ø160	200	F10	30.150
100	4"	16	100	107.1	162	350	204	184	505	130	236	24	8xØ22 / Ø190	235	F10	43.840
125	5"	16	125	131.7	188	400	248	221	710	155	288	22	8xØ18 / Ø210	250	F12	72.210
150	6"	16	150	159.3	212	480	270	243	710	183	324	22	8xØ22 / Ø240	285	F12	100.850

三通球阀
3-WAY

三通阀 / 水平工作
通径和缩径

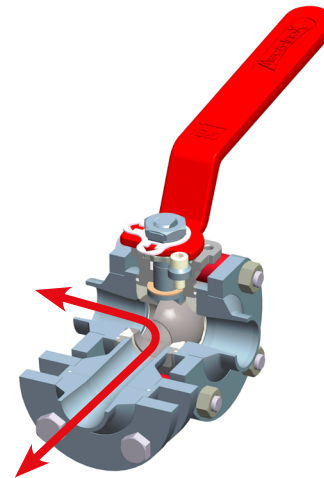
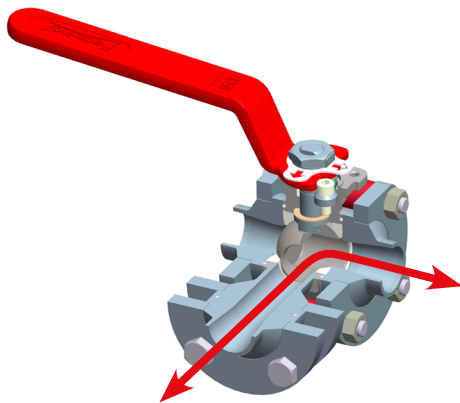
3-way version / Horizontal inlet
Full bore & reduced bore

3VLH

L 型流道
换向

3VLH

L port
Diverting flow

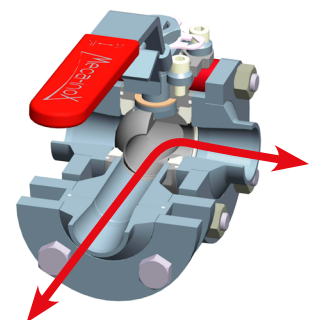
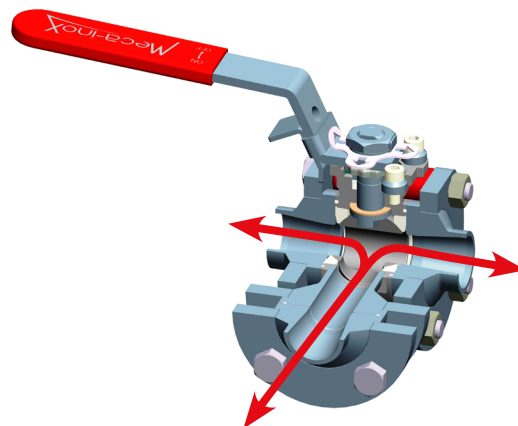
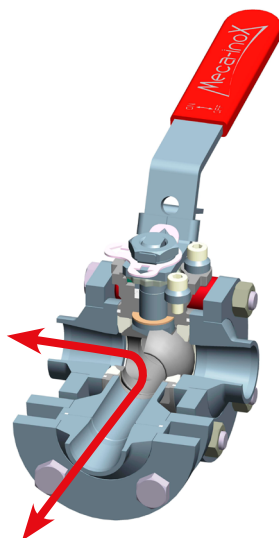


3VTH

T 型流道
换向或混流

3VTH

T port
Diverting flow or mixing



三通阀 / 垂直工作
 通径和缩径

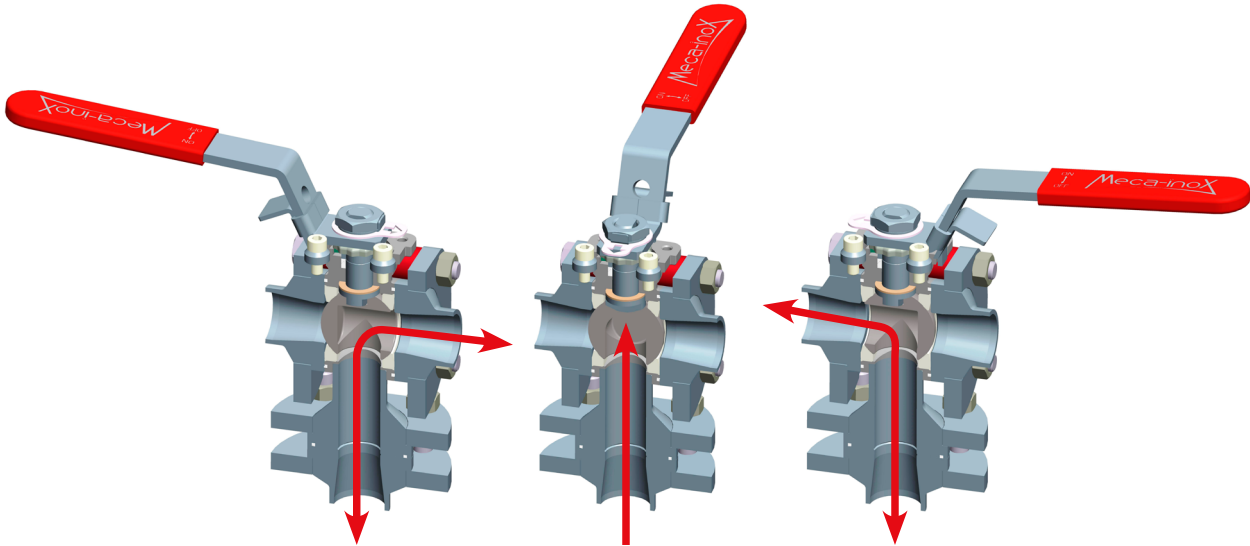
3- way version / Vertical inlet
 Full bore & reduced bore

3VLV

L 型流道
 换向或截止

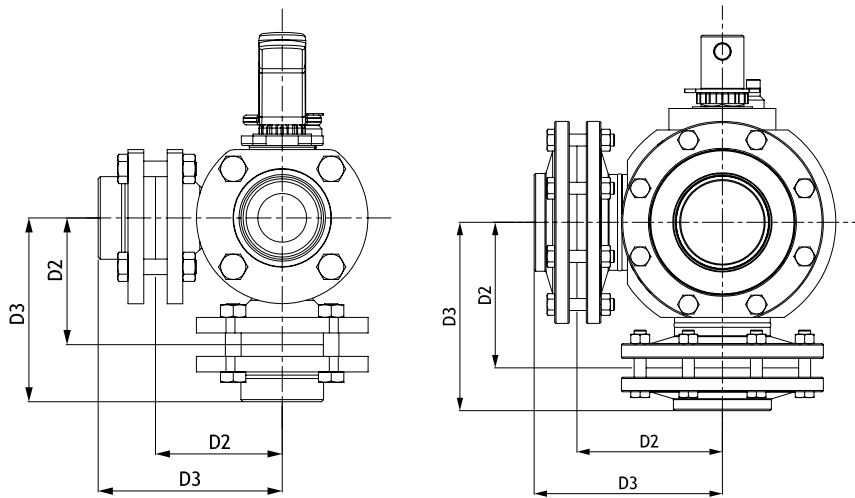
3VLV

L port
 Diverting flow or flow stop



进出口尺寸 (水平和垂直工作)

Horizontal & Vertical inlet size



尺寸 Size	08 1/4"	12 3/8"	15 1/2"	20 3/4"	25 1"	32 1 1/4"	40 1 1/2"	50 2"	65 2 1/2"	80 3"	100 4"
D2	45	45	50	60	65	72	80	103	135	149	170
D3	67.3	67.3	72.8	86.7	94.3	102.9	114.4	142.5	183	202	220

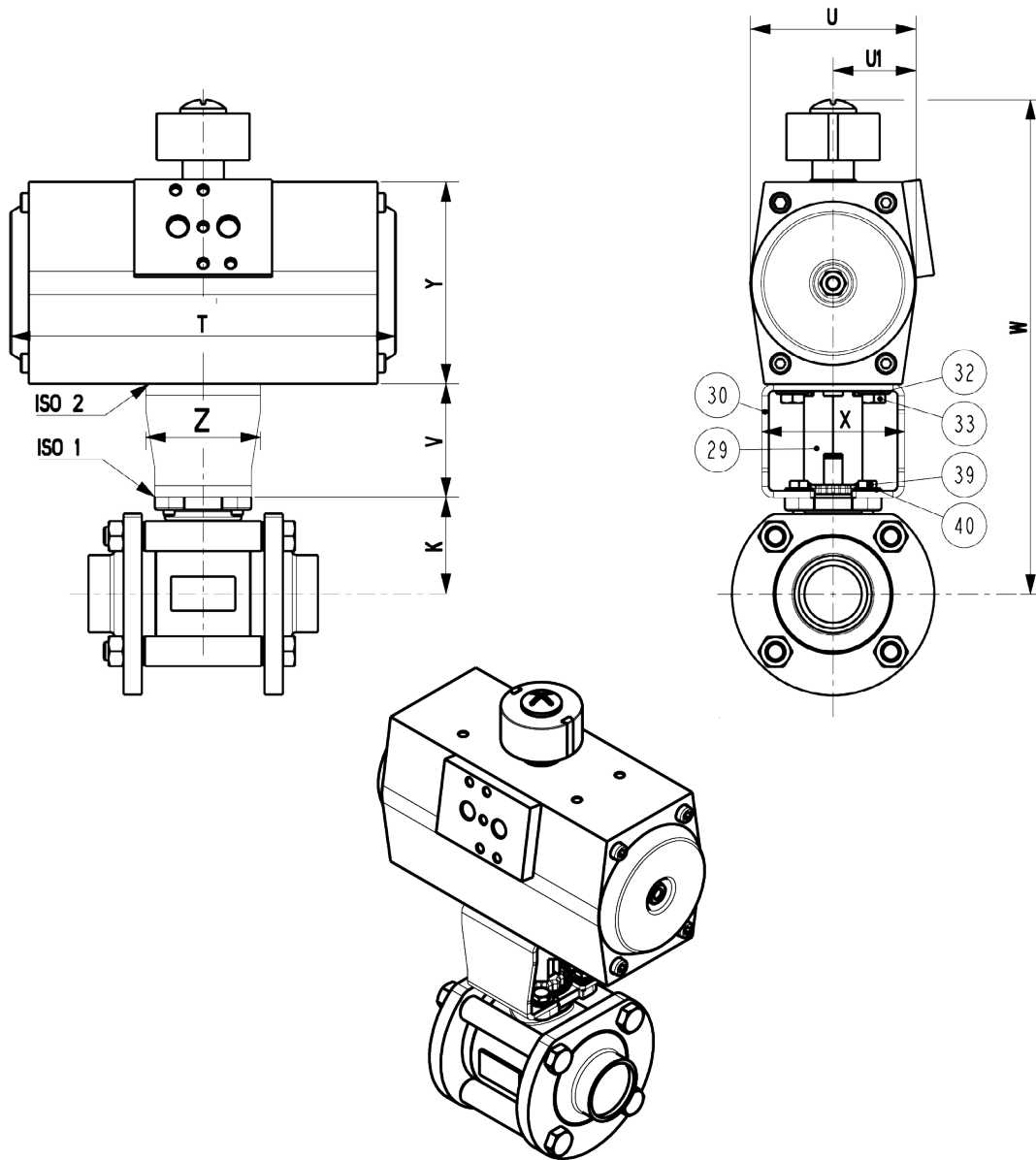
气动执行器
PNEUMATIC ACTUATION

PS4 / PZ4 / PY4 气动连接件

DN 08 到 DN 50

PS4 / PZ4 / PY4 actuated components

Size 1/4" to 2"



DN08 到 DN50

编号	数量	部件名称	材质 (EN)
29	1	连接杆	1.4307
30	1	支架	1.4307
32	4	平垫圈(气缸侧)	1.4301
33	4	螺钉(气缸侧)	1.4301
39	4	螺钉(阀门侧)	1.4301
40	4	平垫圈(阀门侧)	1.4301

Size 2"1/4 to 2"

Item	Qty	Description	Material (ASTM)
29	1	Coupling	304L
30	1	Bracket	304L
32	4	Washer (actuator side)	304
33	4	Screw (actuator side)	304
39	4	Screw (valve side)	304
40	4	Washer (valve side)	304

PS4 气动参数

DN 08 到 DN 50

PS4 actuated

Size 1/4" to 2"

PS4 单作用气动执行器型号 Spring return type on PS4

尺寸 / Size				K	ISO 1	气动执行器 Actuator	ISO 2	T	U	U1	V	W	X	Y	Z
通径 Full Bore	缩径 Reduced Bore														
8-12	1/4"-3/8"	15	1/2"	27.5	F03	2MICA-045SR12	F05	146	58	29	47	169.5	62	65	50
15	1/2"	20	3/4"	31	F03	2MICA-052SR12	F05	146	59	29.5	47	182	62	74	50
20	3/4"	25	1"	37.9	F04	2MICA-052SR12	F05	146	59	29.5	49.5	191.4	62	74	50
25	1"	32	1"1/4"	42	F04	2MICA-063SR12	F05	168	72	36	49.5	209.5	62	88	50
32	1"1/4"	40	1"1/2"	54	F05	2MICA-063SR12	F05	168	72	36	49.5	221.5	62	88	50
40	1"1/2"	50	2"	59	F05	2MICA-075SR12	F05	184	83	41.5	49.5	238.5	62	100	50
50	2"	65	2"1/2"	73	F07	2MICA-083SR12	F05	204	90	45	79.5	291.5	85	109	69

以上数据基于：阀门上下游压差最大值 $\Delta P=7$ bar，气源压力为 6 bar./ Values given for service pressure at: $P=7$ bar max and 6 bar air supply

PS4 双作用气动执行器型号 Double Acting type on PS4

尺寸 / Size				K	ISO 1	气动执行器 Actuator	ISO 2	T	U	U1	V	W	X	Y	Z
通径 Full Bore	缩径 Reduced Bore														
8-12	1/4"-3/8"	15	1/2"	27.5	F03	2MICA-045DA	F05	146	58	29	47	169.5	62	65	50
15	1/2"	20	3/4"	31	F03	2MICA-045DA	F05	146	58	29	47	173	62	65	50
20	3/4"	25	1"	37.9	F04	2MICA-045DA	F05	146	58	29	49.5	182.4	62	65	50
25	1"	32	1"1/4"	42	F04	2MICA-045DA	F05	146	58	29	49.5	186.5	62	65	50
32	1"1/4"	40	1"1/2"	54	F05	2MICA-045DA	F05	146	58	29	49.5	198.5	62	65	50
40	1"1/2"	50	2"	59	F05	2MICA-045DA	F05	146	58	29	49.5	203.5	62	65	50
50	2"	65	2"1/2"	73	F07	2MICA-052DA	F05	146	59	29.5	79.5	256.5	85	87	69

以上数据基于：阀门上下游压差最大值 $\Delta P=7$ bar，气源压力为 6 bar./ Values given for service pressure at: $P=7$ bar max and 6 bar air supply

PS4 $\Delta P=7$ bar

尺寸 Size	气源压力 Air supply pressure	双作用/ Double acting 编号/Code	单作用/ Spring return 编号/Code
10 (8-12) F03	6	2MICA-045DA KPNI410 0511	2MICA-045SR12 KPNI410 0511
15 F03	6	2MICA-045DA KPNI410 0511	2MICA-052SR12 KPNI410 0511
20 F04	6	2MICA-045DA KPNI420 0511	2MICA-052SR12 KPNI420 0511
25 F04	6	2MICA-045DA KPNI420 0511	2MICA-063SR12 KPNI420 0514
32 F05	6	2MICA-045DA KPNI432 0511	2MICA-063SR12 KPNI432 0514
40 F05	6	2MICA-045DA KPNI432 0511	2MICA-075SR12 KPNI432 0514
50 F07	6	2MICA-052DA KPNI450 0511	2MICA-083SR12 KPNI450 0717

气动执行器 PNEUMATIC ACTUATION

PZ4 气动参数

DN 08 到 DN 50

PZ4 actuated

Size 1/4" to 2"

PZ4 单作用气动执行器型号 Spring return type on PZ4

尺寸 / Size				K	ISO 1	气动执行器 Actuator	ISO 2	T	U	U1	V	W	X	Y	Z
通径 Full Bore	缩径 Reduced Bore														
8-12	1/4"-3/8"	15	1/2"	27.5	F03	2MICA-052SR12	F05	146	59	29.5	47	178.5	62	74	50
15	1/2"	20	3/4"	31	F03	2MICA-052SR12	F05	146	59	29.5	47	182	62	74	50
20	3/4"	25	1"	37.9	F04	2MICA-075SR12	F05	184	83	41.5	49.5	217.4	62	100	50
25	1"	32	1"1/4	42	F04	2MICA-075SR12	F05	184	83	41.5	49.5	221.5	62	100	50
32	1"1/4	40	1"1/2	54	F05	2MICA-075SR12	F05	184	83	41.5	49.5	233.5	62	100	50
40	1"1/2	50	2"	59	F05	2MICA-075SR12	F05	184	83	41.5	49.5	238.5	62	100	50
50	2"	65	2"1/2	73	F07	2MICA-092SR12	F07	260	104	52	79.5	302.5	85	120	69

以上数据基于：阀门上下游压差最大值 $\Delta P=7$ bar，气源压力为 6 bar./ Values given for service pressure at: $P=7$ bar max and 6 bar air supply

PZ4 双作用气动执行器型号 Double Acting type on PZ4

尺寸 / Size				K	ISO 1	气动执行器 Actuator	ISO 2	T	U	U1	V	W	X	Y	Z
通径 Full Bore	缩径 Reduced Bore														
8-12	1/4"-3/8"	15	1/2"	27.5	F03	2MICA-045DA	F05	146	58	29	47	169.5	62	65	50
15	1/2"	20	3/4"	31	F03	2MICA-045DA	F05	146	58	29	47	173	62	65	50
20	3/4"	25	1"	37.9	F04	2MICA-045DA	F05	146	58	29	49.5	182.4	62	65	50
25	1"	32	1"1/4	42	F04	2MICA-045DA	F05	146	58	29	49.5	186.5	62	65	50
32	1"1/4	40	1"1/2	54	F05	2MICA-045DA	F05	146	58	29	49.5	198.5	62	65	50
40	1"1/2	50	2"	59	F05	2MICA-045DA	F05	146	58	29	49.5	203.5	62	65	50
50	2"	65	2"1/2	73	F07	2MICA-063DA	F05	168	72	63	79.5	270.5	85	88	69

以上数据基于：阀门上下游压差最大值 $\Delta P=7$ bar，气源压力为 6 bar./ Values given for service pressure at: $P=7$ bar max and 6 bar air supply

PZ4 $\Delta P=7$ bar

尺寸 Size	气源压力 Air supply pressure	双作用/ Double acting 编号/Code	单作用/ Spring return 编号/Code
10 (8-12) F03	6	2MICA-045DA KPNI410 0511	2MICA-052SR12 KPNI410 0511
15 F03	6	2MICA-045DA KPNI410 0511	2MICA-052SR12 KPNI410 0511
20 F04	6	2MICA-045DA KPNI420 0511	2MICA-075SR12 KPNI420 0514
25 F04	6	2MICA-045DA KPNI420 0511	2MICA-075SR12 KPNI420 0514
32 F05	6	2MICA-045DA KPNI432 0511	2MICA-075SR12 KPNI432 0514
40 F05	6	2MICA-045DA KPNI432 0511	2MICA-075SR12 KPNI432 0514
50 F07	6	2MICA-063DA KPNI450 0514	2MICA-092SR12 KPNI450 0717

PY4 气动参数

DN 08 到 DN 50

PY4 actuated

Size 1/4" to 2"

PY4 单作用气动执行器型号 Spring Return type on PY4

尺寸 / Size				K	ISO 1	气动执行器 Actuator	ISO 2	T	U	U1	V	W	X	Y	Z
通径 Full Bore	缩径 Reduced Bore														
8-12	1/4"-3/8"	15	1/2"	27.5	F03	2MICA-045SR12	F05	146	58	38	47	169.5	62	65	50
15	1/2"	20	3/4"	31	F03	2MICA-063SR12	F05	168	72	49	47	196	62	88	50
20	3/4"	25	1"	37.9	F04	2MICA-063SR12	F05	168	72	57	49.5	205.4	62	88	50
25	1"	32	1"1/4	42	F04	2MICA-083SR12	F07	204	90	67	49.5	230.5	82	109	69
32	1"1/4	40	1"1/2	54	F05	2MICA-105SR12	F10	268	115	72	49.5	266.5	120	133	105
40	1"1/2	50	2"	59	F05	2MICA-125SR12	F10	298	140	72	49.5	293.5	120	155	105
50	2"	65	2"1/2	73	F07	2MICA-140SR12	F12	390	152	78	79.5	354	132	171.5	120

以上数据基于：阀门上下游压差最大值 $\Delta P=40$ bar，气源压力为 6 bar./ Values given for service pressure at: $P=40$ bar max and 6 bar air supply

PY4 双作用气动执行器型号 Double Acting type on PY4

尺寸 / Size				K	ISO 1	气动执行器 Actuator	ISO 2	T	U	U1	V	W	X	Y	Z
通径 Full Bore	缩径 Reduced Bore														
8-12	1/4"-3/8"	15	1/2"	27.5	F03	2MICA-045DA	F05	146	58	29	47	169.5	62	65	50
15	1/2"	20	3/4"	31	F03	2MICA-045DA	F05	146	58	29	47	173	62	65	50
20	3/4"	25	1"	37.9	F04	2MICA-045DA	F05	146	58	29	49.5	182.4	62	65	50
25	1"	32	1"1/4	42	F04	2MICA-063DA	F05	168	72	36	49.5	209.5	62	88	50
32	1"1/4	40	1"1/2	54	F05	2MICA-075DA	F05	184	83	41.5	49.5	233.5	62	100	50
40	1"1/2	50	2"	59	F05	2MICA-083DA	F07	204	90	45	49.5	247.5	82	109	69
50	2"	65	2"1/2	73	F07	2MICA-105DA	F10	268	115	57.5	79.5	315.5	120	133	105

以上数据基于：阀门上下游压差最大值 $\Delta P=40$ bar，气源压力为 6 bar./ Values given for service pressure at: $P=40$ bar max and 6 bar air supply

PY4 $\Delta P=40$ bar

尺寸 Size	气源压力 Air supply pressure	双作用/ Double acting 编号/Code	单作用/ Spring return 编号/Code
10 (8-12) F03	6	2MICA-045DA KPNi410 0511	2MICA-045SR12 KPNi410 0511
15 F03	6	2MICA-045DA KPNi410 0511	2MICA-063SR12 KPNi410 0514
20 F04	6	2MICA-045DA KPNi420 0511	2MICA-063SR12 KPNi420 0514
25 F04	6	2MICA-063DA KPNi420 0514	2MICA-083SR12 KPNi420 0717
32 F05	6	2MICA-075DA KPNi432 0514	2MICA-105SR12 KPNi432 1022
40 F05	6	2MICA-083DA KPNi432 0717	2MICA-125SR12 KPNi432 1022
50 F07	6	2MICA-105DA KPNi450 1022	2MICA-140SR12 KPNi450 1227

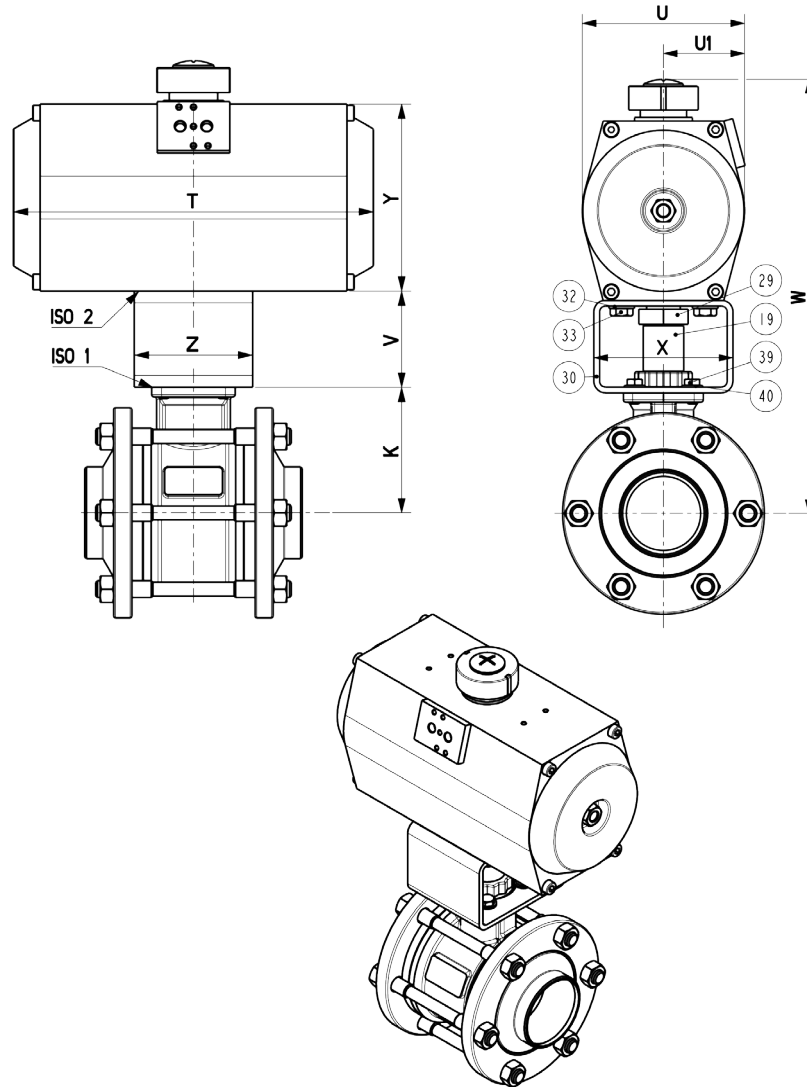
气动执行器
PNEUMATIC ACTUATION

PS4 / PZ4 / PY4 气动参数

DN 65 到 DN 200

PS4 / PZ4 / PY4 actuated components

Size 2"1/2 to 8"



DN 65 到 DN 200

编号	数量	部件名称	材质 (EN)
19	1	手柄连接套	1.4305
29	1	连接杆	1.4307
30	1	支架	1.4307
32	4	平垫圈(气缸侧)	1.4301
33	4	螺钉(气缸侧)	1.4301
39	4	螺钉(阀门侧)	1.4301
40	4	平垫圈(阀门侧)	1.4301

Size 2"1/2 to 8"

Item	Qty	Description	Material (ASTM)
19	1	Handle adaptor	303
29	1	Coupling	304L
30	1	Bracket	304L
32	4	Washer (actuator side)	304
33	4	Screw (actuator side)	304
39	4	Screw (valve side)	304
40	4	Washer (valve side)	304

PS4 气动参数

DN 65 到 DN 200

PS4 actuated

Size 2"1/2 to 8"

PS4 单作用气动执行器型号 *Spring Return type on PS4*

尺寸 / Size				K	ISO 1	气动执行器 Actuator	ISO 2	T	U	U1	V	W	X	Y	Z
通径 Full Bore	缩径 Reduced Bore														
65	2"1/2	80	3"	104	F07	2MICA-125SR12	F10	298	140	70	79.5	368.5	120	155	105
80	3"	100	4"	114	F10	2MICA-140SR12	F12	390	152	76	79.5	395	136	171.5	118
100	4"	125	5"	133	F10	2MICA-140SR12	F12	390	152	76	79.5	414	136	171.5	118
125	5"	150	6"	161	F12	2MICA-140SR12	F12	390	152	76	99.5	462	144	171.5	118
150	6"	200	8"	180	F12	2MICA-210SR12	F14	532	226	113	99.5	564.5	158	255	140

以上数据基于：阀门上下游压差最大值 $\Delta P=7$ bar，气源压力为 6 bar./ Values given for service pressure at: $P=7$ bar max and 6 bar air supply

PS4 双作用气动执行器型号 *Double Acting type on PS4*

尺寸 / Size				K	ISO 1	气动执行器 Actuator	ISO 2	T	U	U1	V	W	X	Y	Z
通径 Full Bore	缩径 Reduced Bore														
65	2"1/2	80	3"	104	F07	2MICA-083DA	F07	204	90	45	79.5	322.5	85	109	69
80	3"	100	4"	114	F10	2MICA-092DA	F07	260	104	52	79.5	343.5	85	120	69
100	4"	125	5"	133	F10	2MICA-105DA	F10	268	115	57.5	79.5	375.5	120	133	95
125	5"	150	6"	161	F12	2MICA-105DA	F10	268	115	57.5	99.5	423.5	136	133	118
150	6"	200	8"	180	F12	2MICA-140DA	F12	390	152	76	99.5	481	144	171.5	118

以上数据基于：阀门上下游压差最大值 $\Delta P=7$ bar，气源压力为 6 bar./ Values given for service pressure at: $P=7$ bar max and 6 bar air supply

PS4 $\Delta P=7$ bar

尺寸 Size	气源压力 Air supply pressure	双作用/ Double acting 编号/Code	单作用/ Spring return 编号/Code
65 F07	6	2MICA-083DA KPNi2P065 0717	2MICA-125SR12 KPNi2P065 1022
80 F10	6	2MICA-092DA KPNi2P080 0717	2MICA-140SR12 KPNi2P080 1227
100 F10	6	2MICA-105DA KPNi2P100 1022	2MICA-140SR12 KPNi2P100 1227
125 F12	6	2MICA-105DA KPNi2P125 1022	2MICA-140SR12 KPNi2P125 1227
150 F12	6	2MICA-140DA KPNi2P125 1227	2MICA-210SR12 KPNi2P125 1436

气动执行器 PNEUMATIC ACTUATION

PZ4 气动参数

DN 65 到 DN 200

PZ4 actuated

Size 2"1/2 to 8"

PZ4 单作用气动执行器型号 Single Acting type on PZ4

尺寸 / Size				K	ISO 1	气动执行器 Actuator	ISO 2	T	U	U1	V	W	X	Y	Z
通径 Full Bore	缩径 Reduced Bore														
65	2"1/2	80	3"	104	F07	2MICA-125SR12	F10	298	140	70	79.5	368.5	120	155	105
80	3"	100	4"	114	F10	2MICA-140SR12	F12	390	152	76	79.5	395	136	171.5	118
100	4"	125	5"	133	F10	2MICA-140SR12	F12	390	152	76	79.5	414	136	171.5	118
125	5"	150	6"	161	F12	2MICA-190SR12	F14	525	206	103	99.5	520.5	158	230	140
150	6"	200	8"	180	F12	2MICA-210SR12	F14	532	226	113	99.5	564.5	158	255	140

以上数据基于：阀门上下游压差最大值 $\Delta P=7$ bar，气源压力为 6 bar./ Values given for service pressure at: $P=7$ bar max and 6 bar air supply

PZ4 双作用气动执行器型号 Double Acting type on PZ4

尺寸 / Size				K	ISO 1	气动执行器 Actuator	ISO 2	T	U	U1	V	W	X	Y	Z
通径 Full Bore	缩径 Reduced Bore														
65	2"1/2	80	3"	104	F07	2MICA-083DA	F07	204	90	45	79.5	322.5	85	109	69
80	3"	100	4"	114	F10	2MICA-092DA	F07	260	104	52	79.5	343.5	85	120	69
100	4"	125	5"	133	F10	2MICA-105DA	F10	268	115	57.5	79.5	375.5	120	133	95
125	5"	150	6"	161	F12	2MICA-125DA	F10	298	140	70	99.5	445.5	136	155	118
150	6"	200	8"	180	F12	2MICA-140DA	F12	390	152	76	99.5	481	144	171.5	118

以上数据基于：阀门上下游压差最大值 $\Delta P=7$ bar，气源压力为 6 bar./ Values given for service pressure at: $P=7$ bar max and 6 bar air supply

PZ4 $\Delta P=7$ bar

尺寸 Size	气源压力 Air supply pressure	双作用/ Double acting 编号/Code	单作用/ Spring return 编号/Code
65 F07	6	2MICA-083DA KPNi2P065 0717	2MICA-125SR12 KPNi2P065 1022
80 F10	6	2MICA-092DA KPNi2P080 0717	2MICA-140SR12 KPNi2P080 1227
100 F10	6	2MICA-105DA KPNi2P100 1022	2MICA-140SR12 KPNi2P100 1227
125 F12	6	2MICA-125DA KPNi2P125 1022	2MICA-190SR12 KPNi2P125 1436
150 F12	6	2MICA-140DA KPNi2P125 1227	2MICA-210SR12 KPNi2P125 1436

PY4 气动参数

DN 65 到 DN 200

PY4 actuated

Size 2"1/2 to 4"

PY4 单作用气动执行器型号 *Spring Return type on PY4*

尺寸 / Size				K	ISO 1	气动执行器 Actuator	ISO 2	ISO 3	T	U	U1	V	W	X	Y	Z
通径 Full Bore	缩径 Reduced Bore															
65	2"1/2	80	3"	104	F07	2TSR055	F07	F12	312	191	95.5	79.5	411	132	207.5	120
80	3"	100	4"	114	F10	2TSR055	F10	F12	312	191	95.5	79.5	421	136	207.5	118
100	4"	125	5"	133	F10	2TSR100	F10	F14	361	227	113.5	79.5	482.5	158	250	140

以上数据基于：阀门上下游压差最大值 $\Delta P=10$ bar，气源压力为 6 bar./ Values given for service pressure at: $P=10$ bar max and 6 bar air supply

PY4 双作用气动执行器型号 *Double Acting type on PY4*

尺寸 / Size				K	ISO 1	气动执行器 Actuator	ISO 2	ISO 3	T	U	U1	V	W	X	Y	Z
通径 Full Bore	缩径 Reduced Bore															
65	2"1/2	80	3"	104	F07	2TDA020	F07	F07	218	136.5	72	79.5	344	85	140.5	69
80	3"	100	4"	114	F10	2TDA020	F10	F07	218	136.5	72	79.5	354	85	140.5	69
100	4"	125	5"	133	F10	2TDA035	F10	F10	266	156	78	79.5	399	120	166.5	95

以上数据基于：阀门上下游压差最大值 $\Delta P=10$ bar，气源压力为 6 bar./ Values given for service pressure at: $P=10$ bar max and 6 bar air supply

PY4 $\Delta P=10$ bar

尺寸 Size	气源压力 Air supply pressure	双作用/ Double acting 编号/Code	单作用/ Spring return 编号/Code
65 F07	6	2MICA-105DA KPNi2P065 1022	2MICA-140SR12 KPNi2P065 1227
80 F10	6	2MICA-105DA KPNi2P080 1022	2MICA-140SR12 KPNi2P080 1227
100 F10	6	2MICA-125DA KPNi2P100 1022	2MICA-190SR12 KPNi2P100 1463