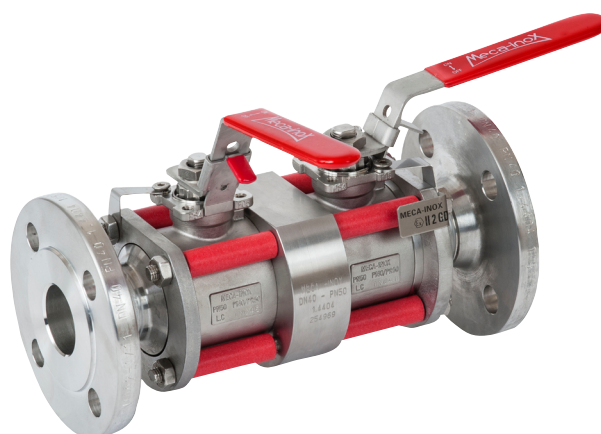


**DN 08 到 DN 200**

卫生级球阀  
全机加工球阀  
V型球调节阀  
罐底阀  
取样阀  
双锁泄放阀  
夹套阀  
止回阀, 窥视镜, 过滤器  
经济型球阀

**Size 1/4" to 8"**

Clean fluid valve  
Machined valve  
V-ball valve  
Tank bottom valve  
Sampling ball valve  
Double block and bleed  
Steam jacketed valve  
Check valve, sight glass, filter  
Economic valve



卫生级球阀  
*Sanitary valve*

双锁泄放阀  
*Double block and bleed*



取样阀  
*Sampling ball valve*



罐底阀  
*Tank bottom valve*

APP

卫生级球阀  
**CLEAN FLUID VALVE**

MS4/MY4轨道自动焊

DN 08 到 DN 50

PN4 | *Orbital welding*

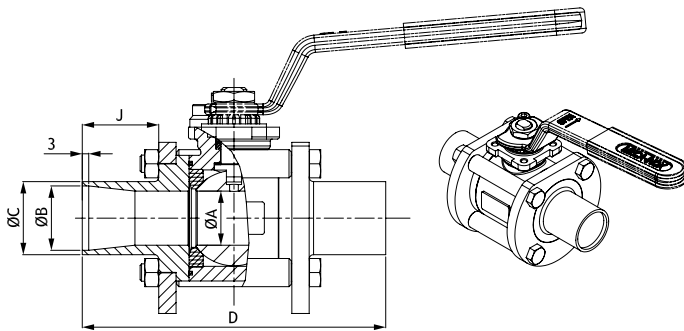
Size 1/4" to 2"



**标准:**  
 口径  
 ISO 管道  
 不锈钢可锁止手柄  
 阀球和连接端内抛光至 Ra0.4  
 清洗后用单独的塑料袋包装  
 套管采用不锈钢

**可选项:**

其他尺寸根据要求定制  
 连接端采用 1.4435 材质(铁素体含量低)  
 全口径



尺寸 Size	PN	Ø A	Ø B (ISO)	Ø C Std)	D	J	
08	1/4"	100	11.1	10.3	13.5	113	35
12	3/8"	100	11.1	14	17.2	113	35
15	1/2"	100	14	18.1	21.3	117	35
20	3/4"	100	19	23.7	26.9	130	35
25	1"	70	25	29.7	33.7	140	35
32	1 1/4"	70	32	38.4	42.4	151	35
40	1 1/2"	50	38	43.1	48.3	159	35
50	2"	50	50	54.5	60.3	185	35

MS4/MY4轨道自动焊

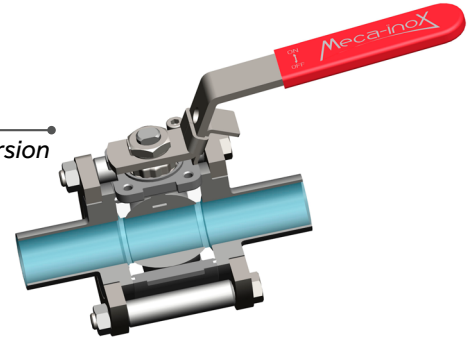
DN 65 到 DN 150

PN4 | *Orbital welding*

Size 2 1/2" to 6"

全口径可定制

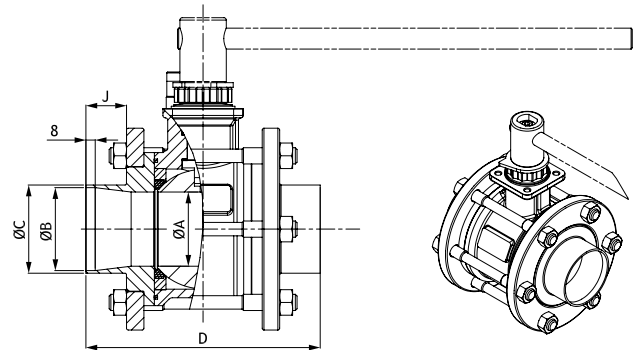
"True bore" version  
on request



**Standard:**  
 Full bore  
 ISO pipe  
 Stainless steel lockable handle  
 Ball & ends polished inside to surface finishing 0,4µm  
 Cleaned and packed in individual plastic bag  
 Distance piece in stainless steel

**On request:**

Other sizes available  
 Ends in 1.4435 (BN2 low ferrite)  
 "True bore" version



尺寸 Size	PN	Ø A	Ø B (ISO)	Ø C Std)	D	J	
65	2 1/2"	40	64	70.3	76.1	202	35
80	3"	40	76	83.1	88.9	228	35
100	4"	25	100	107.9	114.3	256	35
125	5"	25	125	133.7	139.7	291	35
150	6"	16	150	162.3	168.3	323	35

## 全机加工球阀 MACHINED BALL VALVE

### MS4 | MY4 | 对焊连接端

DN 08 到 DN 50

### MS4 | MY4 | Butt Weld ends BW

Size 1/4" to 2"



MS4 带活套法兰  
采用轨道自动焊连接端

MS4 with loose end  
orbital welding

#### 可定制

经 DNV (挪威船级社) 认证深冷低温阀门, 型号 (MY4 CY)  
根据“钢制船舶规范”(2011 年 1 月份颁布) 之第五部分-5 章-6 节  
固定法兰结构  
其他材质  
其他连接端类型

#### On request

Cryogenic version with DNV certification (MY4 CY)  
Rules for steel Ships January 2011 Part 5, Chap.5.sect.6-C800.  
Fixed end  
Other materials  
Other type of connections

MY4 CY 为 DNV 认证阀门采用固定法兰结构

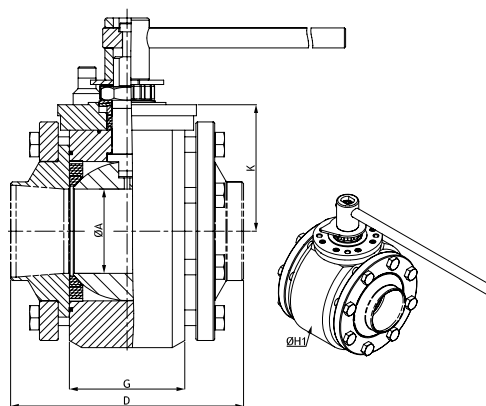
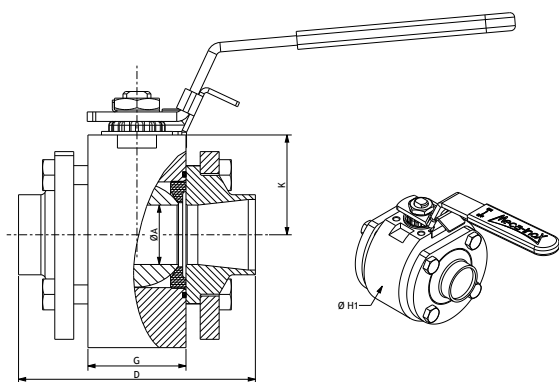
MY4 CY DNV certified with fixed end

### MS4 | MY4 | 对焊连接端

DN 65 到 DN 100

### MS4 | MY4 | Butt Weld ends BW

Size 2"1/2 to 4"



尺寸 Size	ØA	D	G	ØH1	K
08/10 1/4 - 3/8"	11.1	70	24.4	65	31
15 1/2"	14	70	24.4	65	31
20 3/4"	19	85	31.6	85	37.9
25 1"	25	100	41.4	95	42
32 1"1/4	32	110	48.2	120	54
40 1"1/2	38	125	56.2	130	59
50 2"	50	150	71	160	73

尺寸 Size	PN	ØA	D	G	ØH1	K
65 2"1/2	40	64	180	84	190	104
80 3"	40	76	210	104	210	114
100 4"	25	100	230	130	265	133

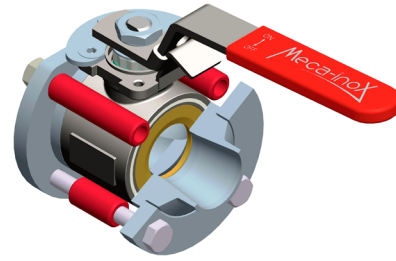
V型球阀  
V-BALL VALVE

DN 15 到 DN 50

20 % PEEK PTFE 阀座

Size 1/2" to 2"

20% PEEK PTFE seats



流量系数 / 阀门开度图表

FLOW RATE / OPENING ANGLE DIAGRAM

以 DN25 的球阀为例  
V60 球阀, 在 50°开度下,  $K_v = 2,87 \text{ m}^3/\text{h}$

Reading example: valve 1",  
V60 ball port, opening angle 50°,  $K_v = 2,87 \text{ m}^3/\text{h}$

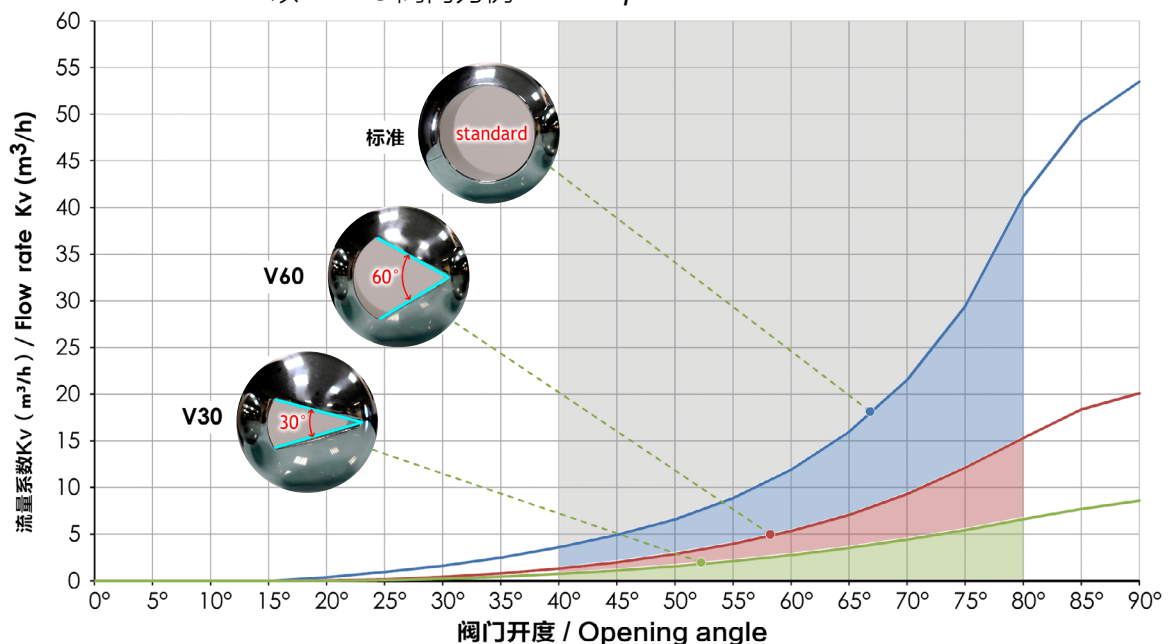
尺寸 Size	球阀类型 Ball type	流量系数 $K_v(\text{m}^3/\text{h})$ / 旋转度 / Flow rate ( $K_v \text{ m}^3/\text{h}$ ) per degree of rotation																	
		5°	10°	15°	20°	25°	30°	35°	40°	45°	50°	55°	60°	65°	70°	75°	80°	85°	90°
15	standard	0.00	0.00	0.00	0.12	0.31	0.54	0.81	1.16	1.60	2.14	2.82	3.80	5.09	7.00	10.05	14.19	15.67	
	V60	0.00	0.00	0.00	0.00	0.03	0.11	0.22	0.37	0.57	0.83	1.15	1.57	2.12	2.84	3.70	4.65	5.64	6.19
	V30	0.00	0.00	0.00	0.00	0.02	0.06	0.13	0.22	0.33	0.47	0.64	0.84	1.09	1.38	1.71	2.05	2.42	2.55
20	standard	0.00	0.00	0.00	0.10	0.39	0.76	1.23	1.84	2.62	3.54	4.86	6.52	8.78	12.64	16.57	23.22	27.71	31.55
	V60	0.00	0.00	0.00	0.01	0.04	0.17	0.35	0.62	0.99	1.46	2.07	2.85	3.86	5.15	6.79	8.60	10.46	11.23
	V30	0.00	0.00	0.00	0.00	0.02	0.09	0.20	0.35	0.56	0.81	1.12	1.50	1.94	2.46	3.06	3.71	4.39	4.71
25	standard	0.00	0.00	0.00	0.39	0.95	1.62	2.49	3.60	4.94	6.59	8.86	11.90	15.96	21.51	29.40	41.17	49.22	53.48
	V60	0.00	0.00	0.00	0.05	0.16	0.42	0.80	1.32	1.99	2.87	3.97	5.34	7.07	9.31	12.11	15.29	18.37	20.10
	V30	0.00	0.00	0.00	0.01	0.08	0.23	0.45	0.74	1.11	1.56	2.11	2.77	3.54	4.44	5.43	6.60	7.69	8.60
40	standard	0.00	0.00	0.80	1.60	2.95	4.58	6.61	8.95	12.20	16.30	22.13	28.71	37.62	50.81	69.54	99.93	119.26	132.37
	V60	0.00	0.00	0.05	0.25	0.71	1.41	2.39	3.74	5.46	7.54	10.12	13.33	17.23	22.10	28.11	35.38	42.13	44.70
	V30	0.00	0.00	0.00	0.12	0.38	0.77	1.31	2.02	2.89	3.96	5.53	6.76	8.52	10.50	12.75	15.17	17.56	19.01
50	standard	0.00	0.00	1.20	3.08	5.50	8.45	12.17	16.63	22.04	28.98	38.83	50.96	67.51	89.82	124.96	172.06	209.85	231.05
	V60	0.00	0.00	0.10	0.55	1.40	2.63	4.33	6.55	9.33	12.76	17.00	22.20	28.84	36.73	47.18	58.42	68.75	76.51
	V30	0.00	0.00	0.10	0.31	0.80	1.51	2.45	3.65	5.11	6.96	9.05	11.53	14.49	17.87	21.76	25.93	29.92	31.90

流量系数 / 阀门开度图表

FLOW RATE / OPENING ANGLE DIAGRAM

以 DN 25 阀门为例

Example: valve size 1"

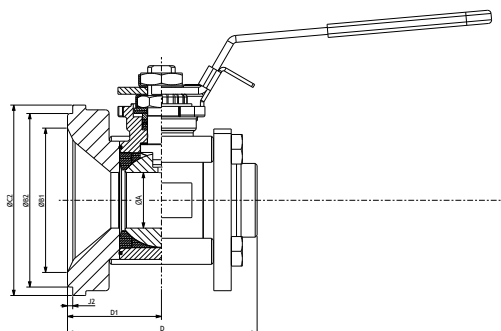


## 罐底阀

## TANK BOTTOM VALVE

### 罐底阀

DN 10 到 DN 25



### Tank bottom valve

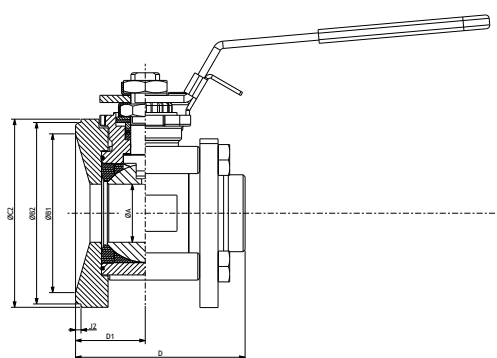
Size 3/8" to 1"

尺寸 / Size	ØA	ØB1	ØB2	ØC2	D	D1	J2
08/10 1/4"-3/8"	11.1	43	54.8	64.5	65	32.5	3
15 1/2"	14	50	64.8	74.5	69.5	34.5	3
20 3/4"	19	63	74.8	84.5	82.5	40	3
25 1"	25	71	84.8	94.5	95	45	3

### 罐底阀，无残留区域

DN 32 到 DN 50

带包覆阀座



### Tank bottom valve without retention area

Size 1"1/4 to 2"

Valve mounted with cavity fillers

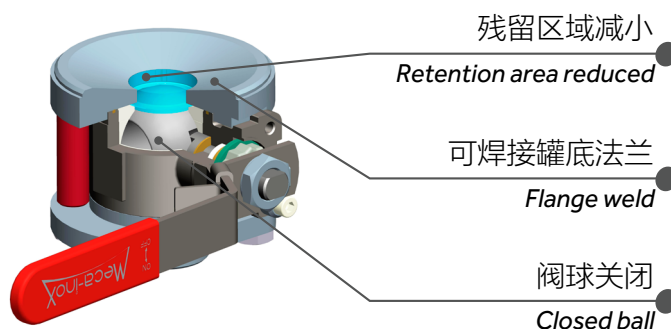
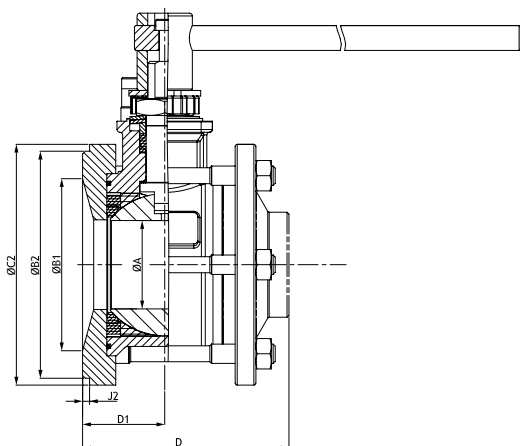
尺寸 / Size	ØA	ØB1	ØB2	ØC2	D	D1	J2
32 1"1/4	32	87.5	100	103.7	93.4	42.1	3
40 1"1/2	38	98	110	117	99.5	44.1	4
50 2"	50	126	138	148	124.5	55.5	6

DN 65 到 DN 100

带包覆阀座

Size 2"1/2 to 4"

Valve mounted with cavity fillers



PS4 FCSZ 型罐底阀的残留量是罐底连接管段再安装普通阀门其残留量的 1/10。

例如: DN 32 的罐底阀残留量仅仅是 4ml。

The volume retention of a PS4 FCSZ valve is 10 times smaller than a standard valve with tank bottom T piping. Example: the DN 32 volume retention is only 4 ml.

尺寸 / Size	ØA	ØB1	ØB2	ØC2	D	D1	J2
65 2"1/2	64	125	164.5	174.5	149.5	59.5	5
80 3"	76	167	190	198	170	65	4
100 4"	100	180	227	237	194	79	5

冲洗阀  
**FLUSH BALL VALVE**

管道尺寸 DN 80 到 DN 200

水平或垂直工作

PS4 DR 的产品设计包含了直接焊接到管道上的法兰。

允许连接到管径为 DN 80 到 DN 200。

相对于卡箍连接和三通连接的冲洗阀。

PS4 DR 的残留量减小了 12 倍。

例: DN25 的阀门残留量只有 6ml。

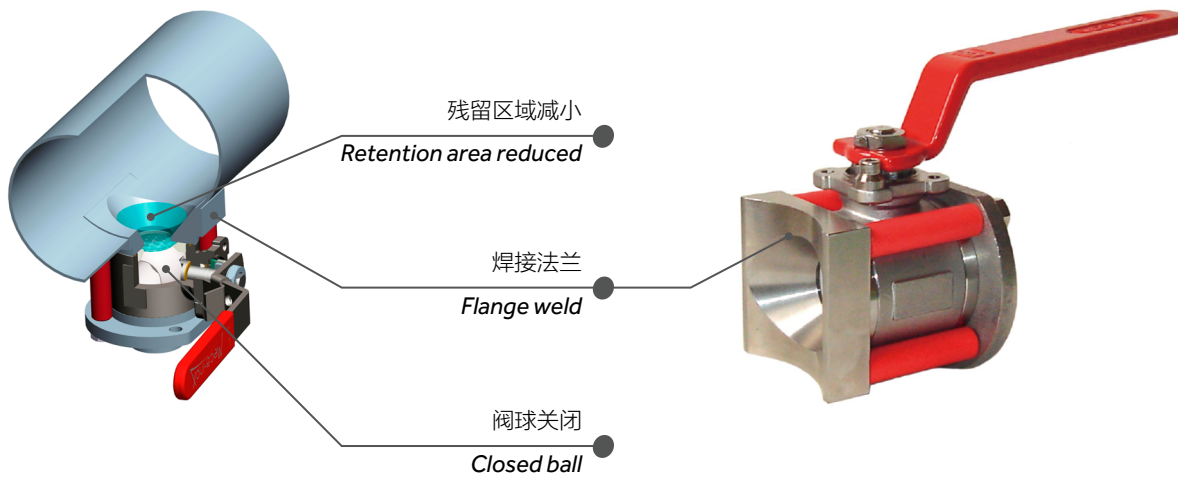
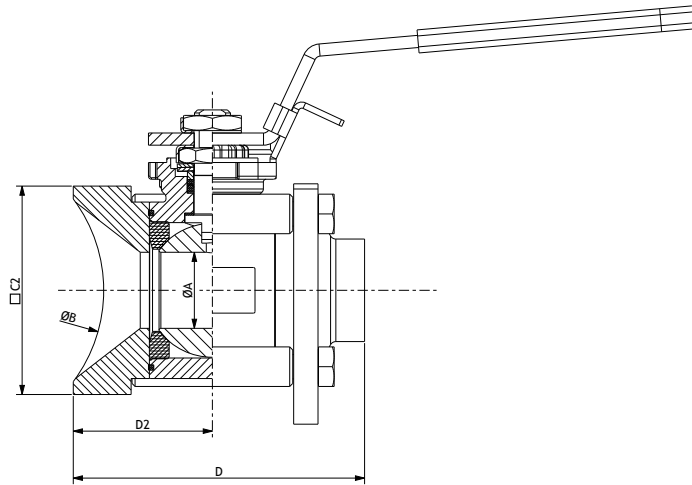
For pipe size 3" to 8"

Horizontal or vertical position

The PS4 DR design includes flange for direct pipe welding. It allows fitting to production lines from 80 to 200mm.

The volume retention of a PS4 DR valve 12 times smaller than a standard valve with clamp fitting and T piping.

Example: the DN 25 volume retention is only 6ml.



尺寸 Size	ØA	ØB	Ø 管道				□C2	D	D2
25 1"	25	100	80	100	125	150	68.5	93.7	43.7
25 1"	25	200	200				68.5	93.7	43.7

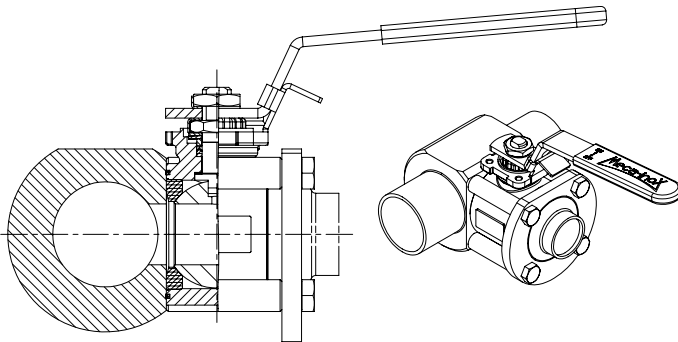
## 冲洗阀 FLUSH BALL VALVE

### 两通式

可适用不同标准管道尺寸

#### 2-way version

Pipe dimension on request

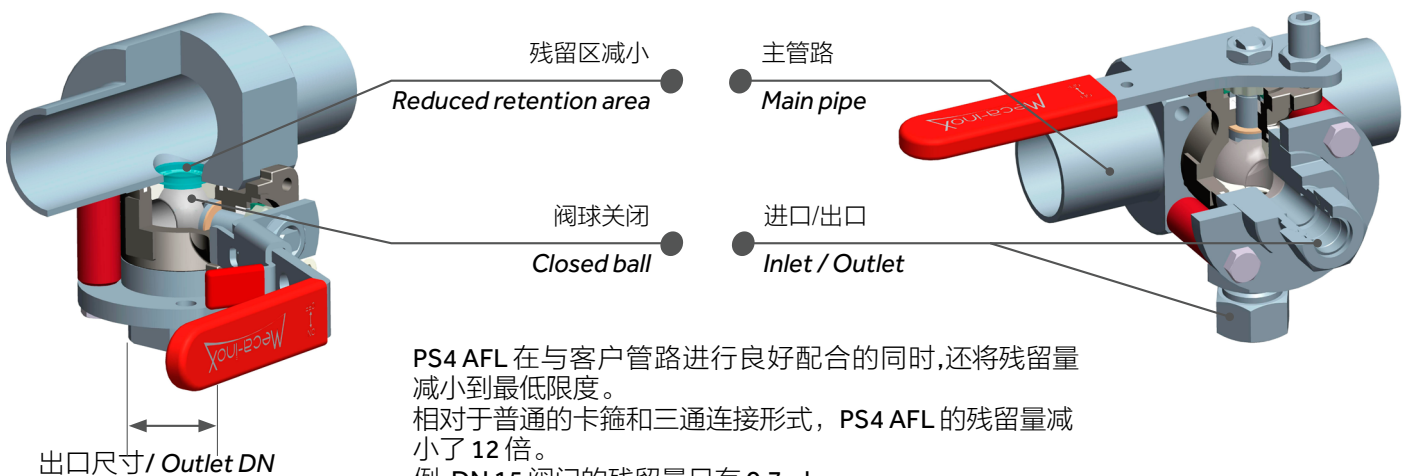
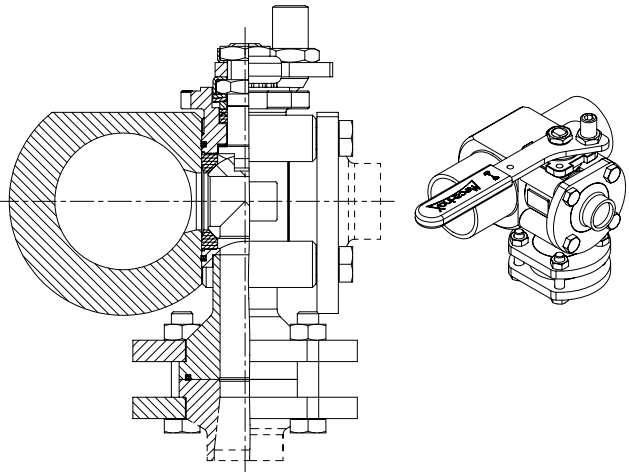


### 三通式

可适用不同标准管道尺寸

#### 3-way version

Pipe dimension on request



PS4 AFL 在与客户管路进行良好配合的同时,还将残留量减小到最低限度。  
相对于普通的卡箍和三通连接形式, PS4 AFL 的残留量减小了 12 倍。  
例: DN 15 阀门的残留量只有 0.7ml。

*PS4 AFL minimizes the volume retention while enabling adaptation to existing lines.  
The volume retention of a PS4 AFL is 12 times smaller than a standard valve with clamp fitting and T piping.  
Example: The DN 15 volume retention is only 0,7ml.*

执行标准:  
冲洗球阀采用  
"全通径"可适用于 "清管系统"

可选项:  
- 尺寸和连接型式根据客户要求  
- 可提供包覆阀座

On standard:  
Flush ball  
"True bore" piggable version

On request:  
Dimensions & type of connections according to customer needs  
Cavity fillers

取样阀

**SAMPLING BALL VALVE**

尺寸及连接端类型

根据客户需求

标准配置:

- 可锁止手柄
- 防滴漏
- 多种取样量可选择
- 取样瓶样式可选择
- 取样操作时与主管路保持密封状态

可选项:

- 取样夹持器
- 隔离止回阀
- 其他材质
- 包覆阀座
- 防爆设计

Dimensions & type of connection

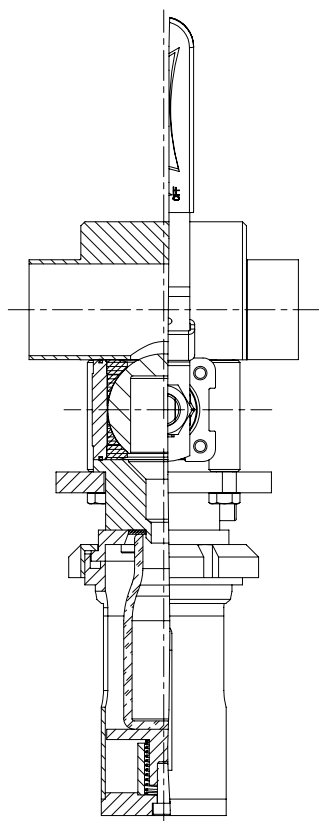
according to customer needs

On standard:

- Lockable handle
- Anti-drip
- Choice of the sampled volume
- Choice of bottle
- Main line sealed during operation

On request:

- Sample holder
- Isolating check valve
- Other materials
- Cavity fillers
- ATEX version



残留区域减少

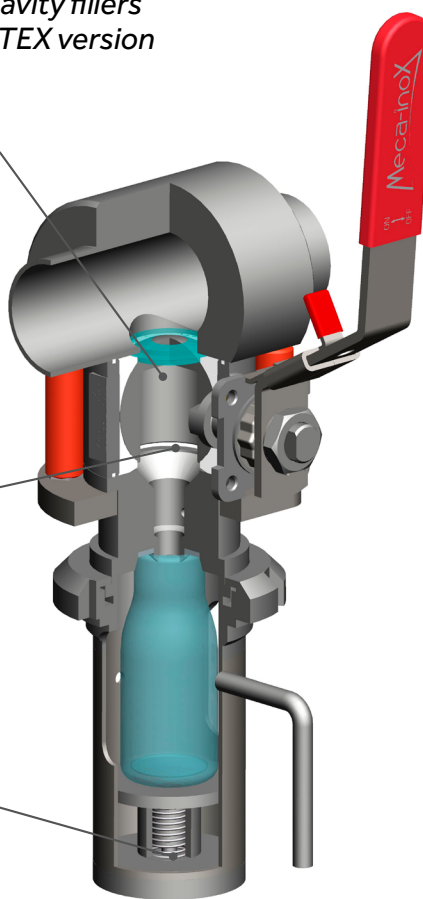
Retention area reduced

取样球关闭

Closed sampling ball

金属取样瓶适用于危险  
或热介质 (可选项)

Metal receiver for ha-  
zardous or hot fluids  
sampling (option)



相对于普通卡箍和三通连接型式。  
PS4 PE 取样阀的残留量减少了 10 倍。

例: DN 25 的阀门残留量只有 2ml。

取样阀和主管路保持密闭, 确保取样时安全操作。

取样球容量: 15, 30, 50 和 100 cc。

The volume retention of a PS4 PE valve is 10 times smaller  
than a standard valve with clamp fitting and T piping.

Example: the DN 25 volume retention is only 2ml.

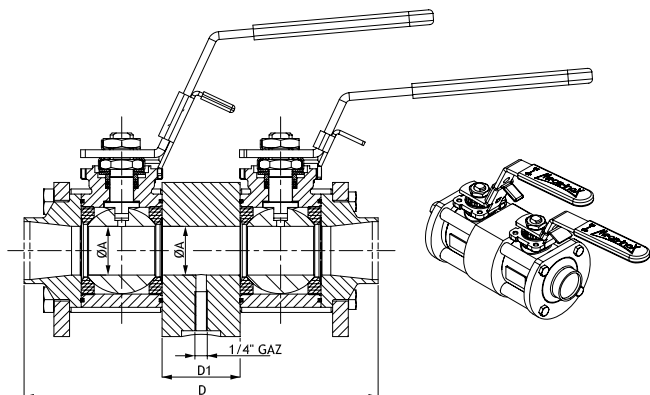
Constant tightness between pressurised pipe and sam-  
pling outlet ensures fully safe operation.

Several sampling ball volume are available: 15, 30, 50 &  
100cc.



双锁泄放阀  
**DOUBLE BLOCK AND BLEED**

DN 15 到 DN 50 | Size 1/2" to 2"



**尺寸及连接端类型**

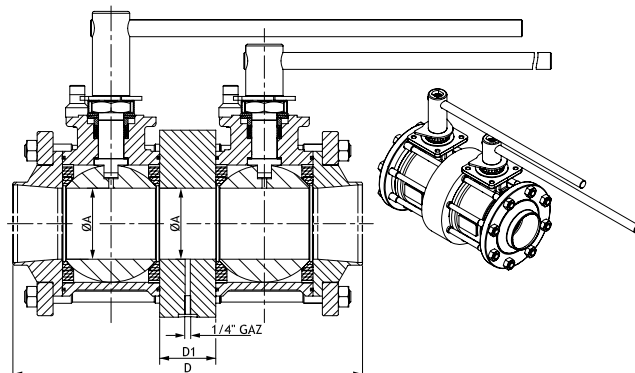
根据客户需求

可选项

- 其他材质
- 包覆阀座
- 防爆设计
- 泄放阀
- 执行机构 (可分别采用不同的执行机构)

检修时, 各管线保持隔离

DN 65 到 DN 100 | Size 2"1/2 to 4"

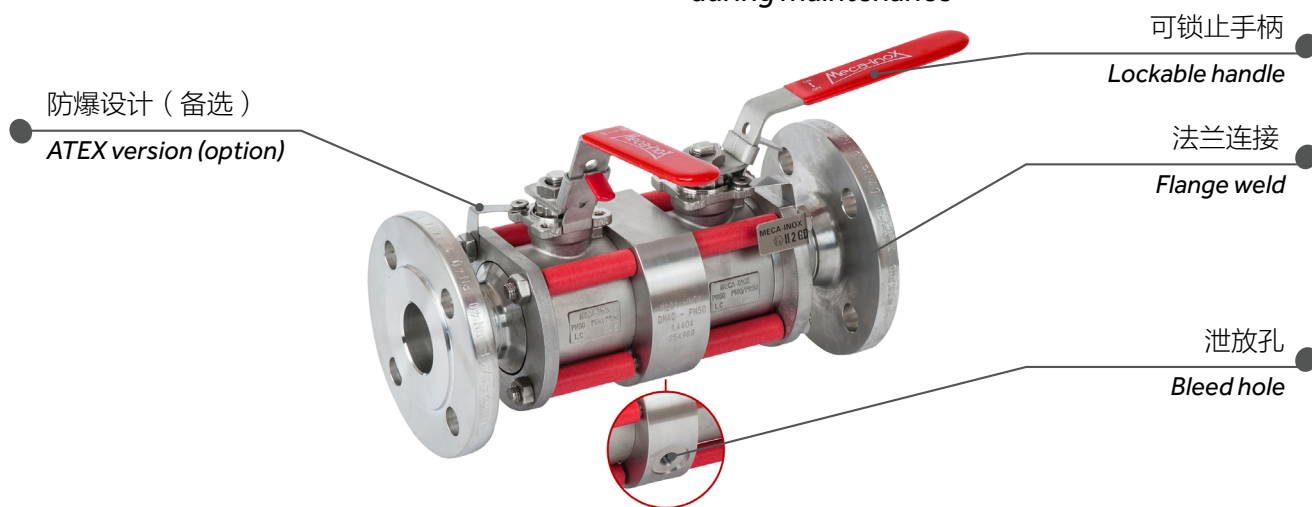


**Dimensions & type of connection**  
according to customer needs

On request:

- Other materials
- Cavity fillers
- ATEX version
- Bleed valve
- Actuated version (mixed possible)

Provides safe isolation of lines  
during maintenance



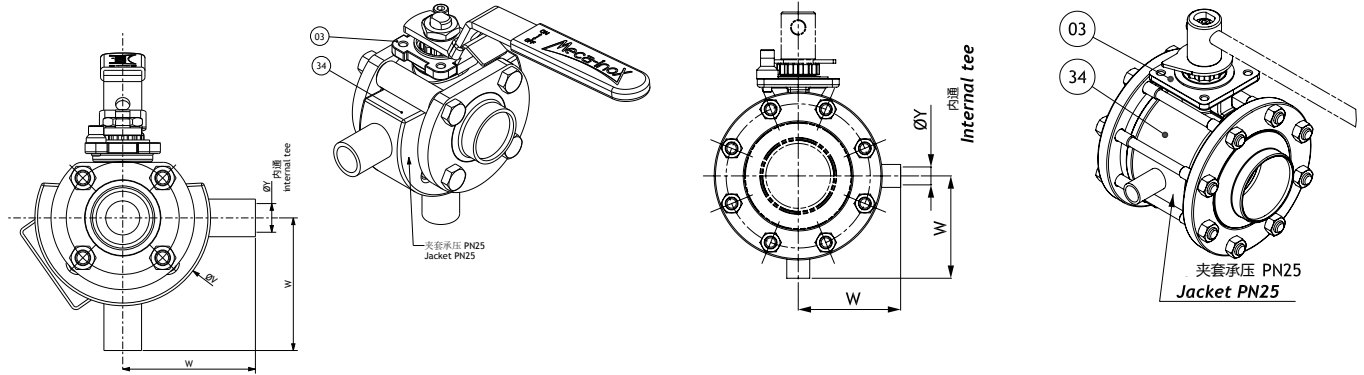
尺寸 Size	ØA	D	D1	
15	1/2"	14	124.4	30
20	3/4"	19	151.6	35
25	1"	25	181.4	40
32	1"1/4	32	198.2	40
40	1"1/2	38	213.8	40
50	2"	50	281	60

尺寸 Size	ØA	D	D1	
65	2"1/2	64	324	60
80	3"	76	374	60
100	4"	100	415	60

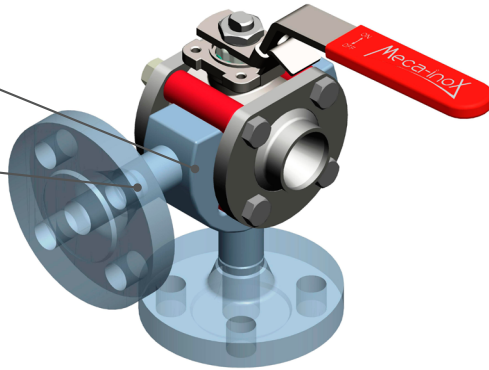
## 夹套阀 STEAM JACKETED BALL VALVE

DN 08 到 DN 50 | Size 1/4" to 2"

DN 65 到 DN 150 | Size 2 1/2" to 6"



- 夹套承压 PN 25  
Jacket PN 25
- 螺纹连接 (法兰连接可选)  
Thread (Flange for option)



编号	数量	描述	材质 (EN)不锈钢
03	1	阀体	1.4409
34	1	夹套	1.4404

Item	Qty	Description	Material (ASTM)
03	1	Body	CF-3M
34	1	Steam jacket	316L

尺寸 Size	PN	⊠V	W	⊠Y	夹套容积 Volume steam jacket
08-12	100	70	67	3/8"	9 cm <sup>3</sup>
15	100	70	72	3/8"	23 cm <sup>3</sup>
20	100	90	75	3/8"	48 cm <sup>3</sup>
25	70	90	74	3/8"	76 cm <sup>3</sup>
32	70	97	79	3/8"	102 cm <sup>3</sup>
40	50	107	89	3/8"	184 cm <sup>3</sup>
50	50	127	106	1/2"	289 cm <sup>3</sup>
65	40	-	100	1/2"	110 cm <sup>3</sup>
80	40	-	120	1/2"	114 cm <sup>3</sup>
100	25	-	130	1/2"	211 cm <sup>3</sup>
125	25	-	150	3/4"	407 cm <sup>3</sup>
150	16	-	170	3/4"	527 cm <sup>3</sup>

## 止回阀 CHECK VALVE

### DN 08 到 DN 50

#### PN 80

建议垂直安装，介质流向自下而上。  
阀体上标有流向指示箭头。  
在水平安装时，为保证密封效果，  
上下游的压差至少要保证1bar。

#### 可选项：

##### ATEX II2GD

适用于氧气系统的脱脂阀门

深冷低温应用

哈氏合金 C22 / 304 L / 904L 材质

根据 2010 / 35 / UE TPED 打上 π 标记

认证 ADR § 1.8.7.6

### Size 1/4" to 2"

#### PN 80

Vertical mounting is advised on an upward flow.

Arrow marked on the body.

In case of an horizontal mounting, the pressure difference between downstream and upstream to ensure sealing should be at least 1bar.

#### On request:

##### ATEX II2GD

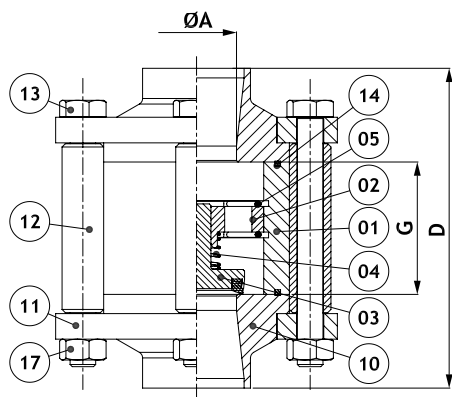
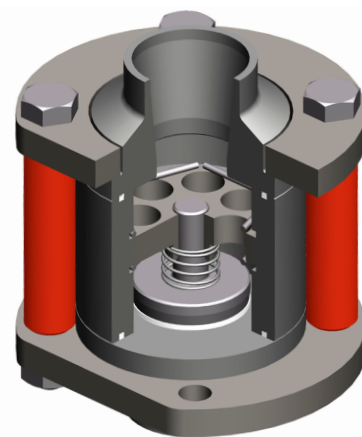
Degreased version for oxygen application

Cryogenics applications

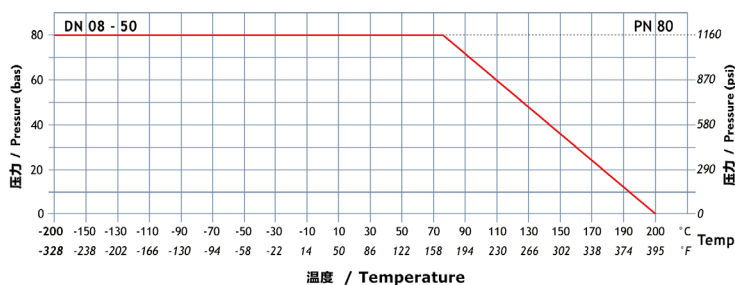
Alloy 22 / 304L / 904L version

π marking according to 2010/35/UE TPED:

certification ADR §1.8.7.6



开启压力 0.4 到 0.6 bar    Opening pressure 6 to 9 psi



编号	数量	描述	材质 (EN) 不锈钢
01	1	阀体	1.4404
02	1	导向部件	1.4404
03	1	阀瓣	1.4404 + PTFE
04	1	弹簧	1.4401
05	2	五角止动环	1.4401
10	2	活套连接端	1.4404
11	2	阀体法兰	1.4307
12	4	套管	PTFE
13	4	螺栓	1.4301
14	2	阀体密封	PTFE
17	4	螺母	1.4301

Item	Qty	Description	Material (ASTM)
01	1	Body	316L
02	1	Plate guide	316L
03	1	Disc	316L + PTFE
04	1	Spring	316
05	2	Circlip CERCLAM	316
10	2	Loose end	316L
11	2	Body flange	304L
12	4	Distance piece	PTFE
13	4	Screw TH	304
14	2	Body seal	PTFE
17	4	Nut screw	304

通径	尺寸 / Size		PN	Ø A	D	G
	N	V				
	Full	Reduced				
08-12	1/4"-3/8"	15	80	11	65	20.4
15	1/2"	20	80	14.2	70	24.4
20	3/4"	25	80	21	85	31.6
25	1"	32	80	25	100	41.4
32	1"1/4"	40	80	32	110	48.2
40	1"1/2"	50	80	38	125	56.2
50	2"	65	80	50	150	71.0

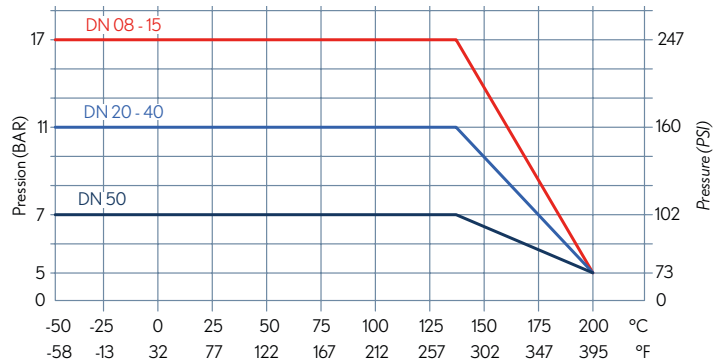
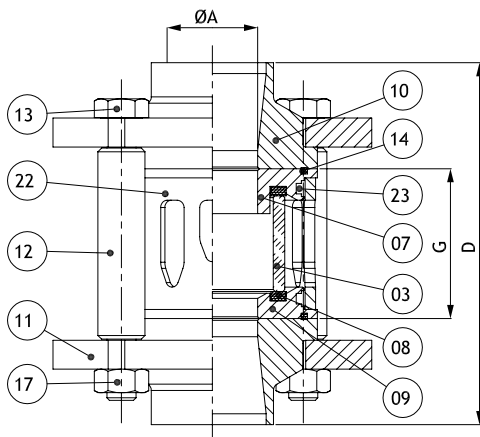
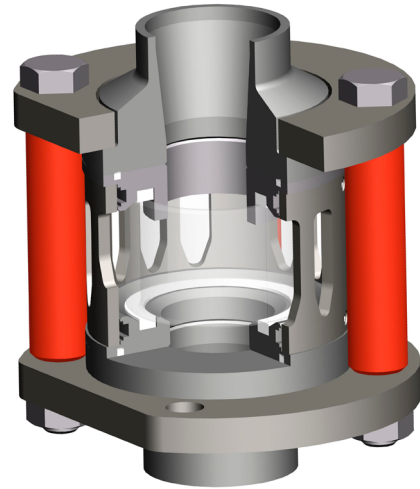
窥视镜  
**SIGHT GLASS**

DN 08 到 DN 50

预应力玻璃套筒  
玻璃被有效保护(保护支架采用不锈钢)  
防滴漏设计  
其他材质可定制

Size 1/4" to 2"

Pre-stressed cartridge  
Efficient glass protection  
(glass protector in stainless steel)  
Drip avoiding the projection of drops on the walls  
Others materials on request



通径	尺寸 / Size			PN	Ø A	D	G	压力 pressure bar
	N	Full	缩径 Reduced					
8-12		1/4"-3/8"	15	17	10.5	65	20.4	17
15		1/2"	20	17	14	70	24.4	17
20		3/4"	25	11	19	85	31.6	11
25		1"	32	11	25	100	41.4	11
32		1"1/4"	40	12	32	110	48.2	12
40		1"1/2"	50	11	38	125	56.2	11
50		2"	65	7.5	50	150	71.0	7.5

编号	数量	描述	材质(EN) 不锈钢
03	1	玻璃	PYREX
07	1	密封函	1.4404
08	2	玻璃密封	微孔PTFE
09	1	上密封函	1.4404
10	2	连接端	1.4404
11	2	阀体法兰	1.4307
12	4	套管	PTFE
13	4	螺栓	1.4301
14	2	阀体密封	PTFE
17	4	螺栓螺母	1.4301
22	1	保护支架	1.4404
23	8	螺栓	1.4301

Item	Qty	Description	Material (ASTM)
03	1	Glass	PYREX
07	1	Seal holder	316L
08	2	Glasseal	Microcellular PTFE
09	1	Upper seal holder	316L
10	2	Loose end	316L
11	2	Body flange	304L
12	4	Distance piece	PTFE
13	4	Screw TH	304
14	2	Body seal	PTFE
17	4	Nut screw	304
22	1	Protector	316L
23	8	Screw HC	304

## 过滤器 FILTER

### DN 08 到 DN 50

过滤精度

0.45 mm: DN 10 到 DN 20

0.80 mm: DN 25 到 DN 50

其他过滤精度可定制

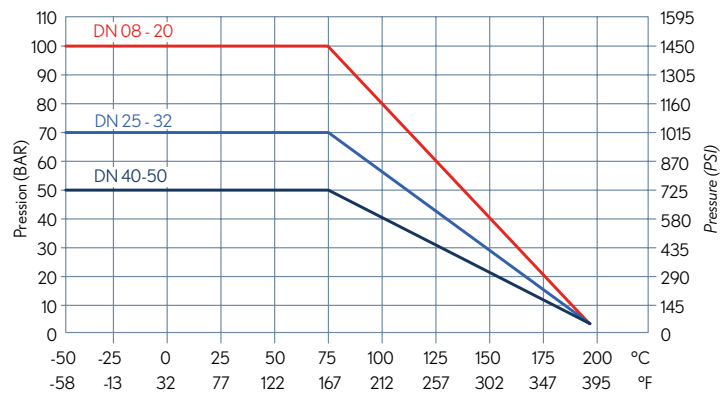
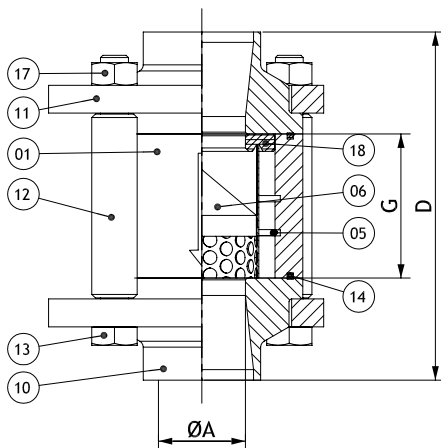
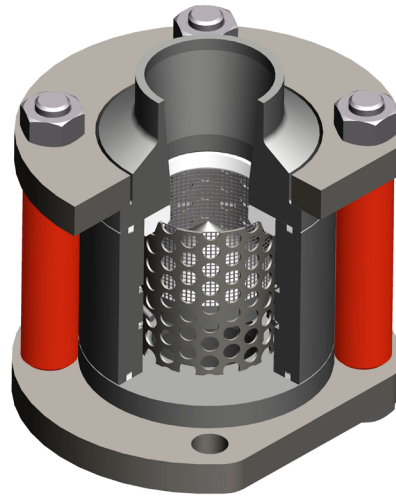
### Size 1/4" to 2"

Filtering grade

0.45mm for size 1/4" to 3/4"

0.8mm for size 1" to 2"

Other filtering grade on request.



尺寸 / Size	N		V	PN	Ø A	D	G
	Full	缩径 / Reduced					
8-12	1/4"-3/8"	15	1/2"	100	11.1	65	20.4
15	1/2"	20	3/4"	100	14	70	24.4
20	3/4"	25	1"	100	19	85	31.6
25	1"	32	1"1/4	70	25	100	41.4
32	1"1/4	40	1"1/2	70	32	110	48.2
40	1"1/2	50	2"	50	38	125	56.2
50	2"	65	2"1/2	50	50	150	71.0

编号	数量	描述	材质(EN) 不锈钢
01	1	阀体	1.4404
05	1	五角形定位环	1.4404
06	1	过滤部件 DN08 到 DN20 : 0.45 mm DN25 到 DN50 : 0.80 mm	1.4404
10	2	活套连接端	1.4404
11	2	阀体法兰	1.4404
12	4	套管	PTFE
13	4	螺栓	1.4404
14	2	阀体密封	PTFE
17	4	螺母	1.4404

Item	Qty	Description	Material (ASTM) S.steel
01	1	Body	316L
05	1	Circlip CERCLAM	316L
06	1	Filter element 1/4"-3/4": 0.45mm 1"-2": 0.80mm	316L
10	2	Loose end	316L
11	2	Body flange	304L
12	4	Distance piece	PTFE
13	4	Screw TH	304
14	2	Body seal	PTFE
17	4	Nut screw	304

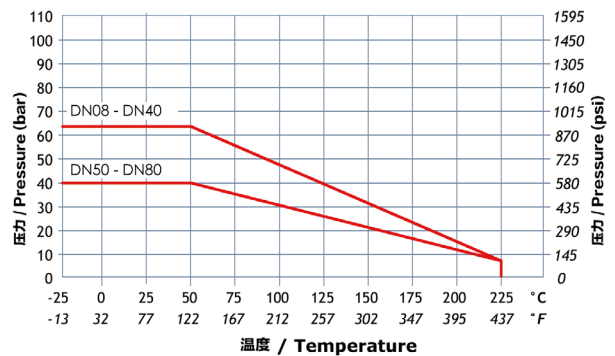
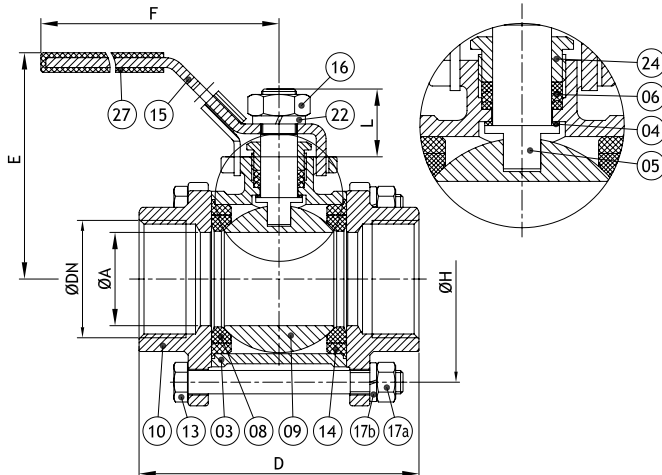
三片式经济型球阀  
3-PIECE ECONOMIC VALVE

DN 08 到 DN 80

螺纹及对焊  
通径  
防静电装置

Size 1/4" to 3"

Thread & Butt welding  
Full bore  
Antistatic device



编号	数量	描述	材质 (EN) 不锈钢
03	1	阀体	1.4408
04	1	阀杆密封	PTFE + 25% 碳
05	1	阀杆	1.4401
06	1	填料密封	PTFE + 25% 碳
08	2	阀座	PTFE + 25% 碳
09	1	阀球	1.4408
10	2	阀盖	1.4408
13	4	螺栓 DN08-DN65	1.4301
	6	螺栓 DN80	1.4301
14	2	垫圈	PTFE + 25% 碳
15	1	手柄	1.4301
16	1	阀杆螺母	1.4301
17a	4	螺母螺栓 DN08-DN65	1.4301
	6	螺母螺栓 DN80	1.4301
17b	4	螺栓垫片 DN08-DN65	1.4301
	6	螺栓垫片 DN80	1.4301
22	1	弹簧垫圈	1.4301
24	1	填料压盖	1.4301
27	1	塑料手柄套	塑料

Item	Qty	Description	Material (ASTM) S.steel
03	1	Body	CF8M
04	1	Stem thrust seal	PTFE + 25% Carbon
05	1	Stem	316
06	3	Stem packing	PTFE + 25% Carbon
08	2	Seat	PTFE + 25% Carbon
09	1	Ball	CF8M
10	2	Cap	CF8M
13	4	Bolt DN 1/4" to 2"1/2	304
	6	Bolt DN 3" to 4"	304
14	2	Gasket	PTFE + 25% Carbon
15	1	Handle	304
16	1	Stem nut	304
17a	4	Nut screw DN 1/4" to 2"1/2	304
	6	Nut screw DN 3" to 4"	304
17b	4	Bolt washer DN 1/4" to 2"1/2	304
	6	Bolt washer DN 3" to 4"	304
22	1	Spring Washer	304
24	1	Gland	304
27	1	Plastic Cover	Plastic

尺寸 Size	ØA	D	E	F	ØH	L	M	ISO 5211	重量 (公斤) Weight (Kg)
8	1/4"	11.6	58	56	102	40.5	15	F03	0.400
12	3/8"	12.7	58	56	102	40.5	15	F03	0.400
15	1/2"	15	63	65	123	47	16	F03	0.550
20	3/4"	20	73	67	123	53.5	16	F03	0.700
25	1"	25	85	79	153	59.6	21	F04	1.050
32	1"1/4	32	96	84	153	74.2	21	F04	1.600
40	1"1/2	38	114	92	183	84	25	F05	2.250
50	2"	50	134	99	183	101	29	F05	3.400
65	2"1/2	65	180	136	246	132	40	F07	-
80	3"	80	200	146	246	161.5	48	F07	-

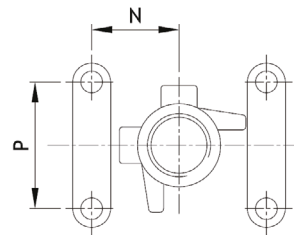
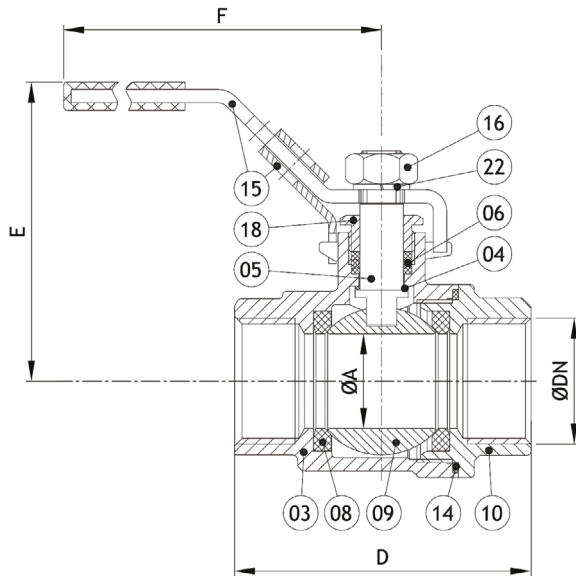
## 单片式球阀 1-PIECE BALL VALVE

DN 08 到 DN 80

BSP & NPT 螺纹连接  
通路

Size 1/4" to 3"

BSP & NPT thread  
Full bore



DN 65-80  
DN 2" 1/2 - 3"  
尺寸: 2.5英寸到3英寸

编号	数量	零部件名称	材质 (EN)
03	1	阀体	1.4408
04	1	阀体密封	PTFE
05	1	阀杆	1.4404
06	1	阀杆填料	PTFE
08	2	阀座	PTFE
09	1	阀球	1.4408
10	1	阀体连接端	1.4408
14	1	阀体密封	PTFE
15	1	手柄	1.4301
16	1	阀杆螺母	1.4301
18	1	压盖螺母	1.4301
22	1	阀杆垫片	1.4301

Item	Qty	Description	Material (ASTM)
03	1	Body	CF8M
04	1	Stem thrust seal	PTFE
05	1	Stem	316
06	1	Stem packing	PTFE
08	2	Seat	PTFE
09	1	Ball	CF8M
10	1	Body connector	CF8M
14	1	Body seal	PTFE
15	1	Handle	304
16	1	Stem nut	304
18	1	Gland nut	304
22	1	Stem washer	304

尺寸/Size	ØA	D	E	F	N	P	
8	1/4"	11.6	52	56	102	12.7	28.5
12	3/8"	12.7	52	56	102	12.7	28.5
15	1/2"	15	58	65	123	12.7	28.5
20	3/4"	20	67	68	123	21	35
25	1"	25	78	79	153	21	35
32	1" 1/4	32	90	84	153	23.5	38
40	1" 1/2	40	104	93	183	23.5	38
50	2"	50	127	99	183	23.5	38
65	2" 1/2	65	158	136	246	35	54
80	3"	80	187	146	246	35	54

