

气动执行器机构

单作用或双作用
铝合金气缸

Pneumatic Actuator

*Spring return or double acting
Aluminum Alloy Type*

电动执行器机构

双作用
EZ 系列

Electric Actuator

*Double acting
EZ-Type*



气动执行器
Pneumatic actuator



EZ4-EZ15 类型 电动执行器
"EZ4-EZ15" Type electric actuation



EZ25-EZ60 类型 电动执行器
"EZ25-EZ60" Type electric actuation

ACT | ACC

气动执行器
PNEUMATIC ACTUATION**特征和优点**

挤压铝质 (ASTM 6005) 缸体，内表面细磨精加工，内部和外部均采用高级防腐技术，气缸摩擦系数小，使用寿命长，抗腐蚀性能强。

双活塞齿轮齿条式设计，结构紧凑、安装位置对称、改变输出轴转向方便，使用寿命长、动作迅速。

在导轨和活塞上采用复合轴承和导环设计，从而实现低摩擦、高运转寿命和防止轴喷出。

模块式预紧式弹簧盒设计，带涂层弹簧，从而实现更多的系列，更大的安全系数，更好的抗腐蚀能力和更长的使用寿命。高精度齿轮和齿条，啮合间隙小、精度高，输出功率大。采用不锈钢紧固件，实现长期防腐蚀。

采用国际规范尺寸：
输出轴槽，螺孔：顶部安装孔尺寸符合 NAMUR。
气源接口尺寸符合 NAMUR。
底部安装孔尺寸符合 ISO 5211、DIN 3337。
方便安装电磁阀，限位开关等附件。

Features and benefits

Extruded aluminum ASTM 6005 body with both internal and external corrosion protection having honed cylinder surface for longer life and low coefficient of friction.

Dual piston rack and pinion design for compact construction, symmetric mounting position, high-cycle life and fast operation, reverse rotation can be accomplished in the field by simply inverting the pistons.

Multiple bearings and guides on racks and pistons, low friction, high cycle life and prevent shaft blowout.

Modular preloaded spring cartridge design, with coated spring for simple versatile range, greater safety and corrosion resistance, longer cycle life. Fully machined teeth on piston and pinion for accurate low backlash rack and pinion engagement, maximum efficiency. Stainless steel fasteners for long term corrosion resistance

Full conformance to the latest specifications: ISO 5211, DIN 3337 and Namur or product interchangeability and easy mounting of solenoids, limit switches and other accessories.

气动执行器 PNEUMATIC ACTUATION

基本的操作细节

DA系列	双作用 出口 "A" = 开启供气口 (逆时针) 出口 "B" = 关闭供气口 (顺时针)
SR系列	单作用 出口 "A" = 开启供气口 (逆时针) 出口 "B" = 关闭供气口 (顺时针)
使用介质	压缩空气、无腐蚀性气体和 轻质液压油
工作温度	标准型: -20 C +80 C
最高使用压力	输入气压不超过 10 bar

Basic operating details

DA model	Double acting Port "A" = Air to open (anti-clockwise) Port "B" = Air to close (clockwise)
SR model	Simple acting (Spring return) Port "A" = Air to open (anti-clockwise com pressing springs) Port "B" = Springs to close (clockwise)
Operating medium	Air (dry or lubricated), non-corrosive gas, light hydraulic oil
Operating temperature	Standard: -20 C +80 C
Maximum air pressure	Should not exceed 10 bar

最长操作时间 (秒) (气源压力=5 bar) / Maximum operating time in second (air pressure = 5 bar)

Actuator 气动执行器	2MICA-045	2MICA-052	2MICA-063	2MICA-075	2MICA-083	2MICA-092	2MICA-105	2MICA-125	2MICA-140	2MICA-160	2MICA-190	2MICA-210
双作用开启 Double acting (DA) open	0.5	0.6	0.7	0.8	0.9	1	1.5	2	2.5	4	5	5
双作用关闭 Double acting (DA) close	0.5	0.6	0.7	0.7	0.8	1	1.5	2	2.5	3	4	4
单作用开启 Spring return (SR) open	2	2	2	2	2.5	3	3	4	4	4	5	6
单作用关闭 Spring return (SR) close	0.5	0.5	1	1	1	1	1	1	1	1.5	3	3

每一冲程空气消耗量 (升) / Air consumption per stroke (liter)

气动执行器 Actuator	2MICA-045	2MICA-052	2MICA-063	2MICA-075	2MICA-083	2MICA-092	2MICA-105	2MICA-125	2MICA-140	2MICA-160	2MICA-190	2MICA-210
开启供气口: A Port 'A' to open	0.08	0.11	0.2	0.29	0.41	0.62	0.94	1.47	2.43	3.65	5.9	7.4
关闭供气口: B Port 'B' to close	0.11	0.14	0.23	0.38	0.55	0.91	1.18	1.85	3.2	5.03	7.9	9.7

气动头总重 (kg) / Overall actuator weight (kg)

气动执行器 Actuator	2MICA-045	2MICA-052	2MICA-063	2MICA-075	2MICA-083	2MICA-092	2MICA-105	2MICA-125	2MICA-140	2MICA-160	2MICA-190	2MICA-210
双作用 Double acting (DA)	1.05	1.1	1.8	2.16	2.85	4.3	6.15	8.8	12.15	20.1	38.1	45.1
单作用 Spring return (SR)	1.12	1.23	1.95	2.43	3.15	5.05	6.95	9.25	15.3	23.8	44.8	53.6

气动执行器
PNEUMATIC ACTUATION

标准和认证

气动执行器平台标准:

- 平台接口和驱动方孔根据 ISO 5211 和 DIN 3337 进行设计
- 与电磁阀和限位开关的接口, 根据Namur和 VDI / VDE 3845标准

欧洲规范:

- 美嘉诺采用的驱动装置符合欧盟规范中有关安全和健康要求。
- ATEX 94 / 9 / EC: 用于潜在爆炸性环境中的设备和防护系统认证。
 - 欧盟规范 98 / 37 / EC & 98 / 79 / EC: 机械安全指令。

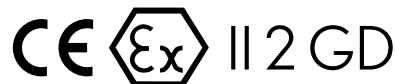
Standard & approvals

Interface standard of actuators:

- ISO flange and drive square according to ISO 5211 ; DIN 3337
- Interface for solenoid valve and limit switch box according to Namur standard VDI / VDE 3845

European Directives:

- Meca-Inox actuators are in accordance to the main requirements of safety and health for workers according to the European Directives:
- ATEX 94 / 9 / EC: Concerning equipment and protective systems intended for use in potentially explosive atmospheres
 - Directive 98 / 37 / EC & 98 / 79 / EC: machinery equipment directive



双作用气动执行器操作扭矩 / Double acting operating torques (N.m)

气动执行器 Actuator	气源压力 / Air supply pressure			
	4 bar	5 bar	6 bar	7 bar
2MICA-045DA	12.1	15.1	18.1	21.1
2MICA-052DA	16.1	20.2	24.2	28.2
2MICA-063DA	28.4	35.5	42.6	49.7
2MICA-075DA	40.3	50.3	60.4	70.5
2MICA-083DA	61.6	77.1	92.5	107.9
2MICA-092DA	90.9	113.6	136.3	159.1
2MICA-105DA	131.6	164.4	197.3	230.2
2MICA-125DA	205	256	308	359
2MICA-140DA	351	439	526	614
2MICA-160DA	535	668	802	935
2MICA-190DA	861	1077	1295	1508
2MICA-210DA	1052	1316	1579	1842

气动执行器 PNEUMATIC ACTUATION

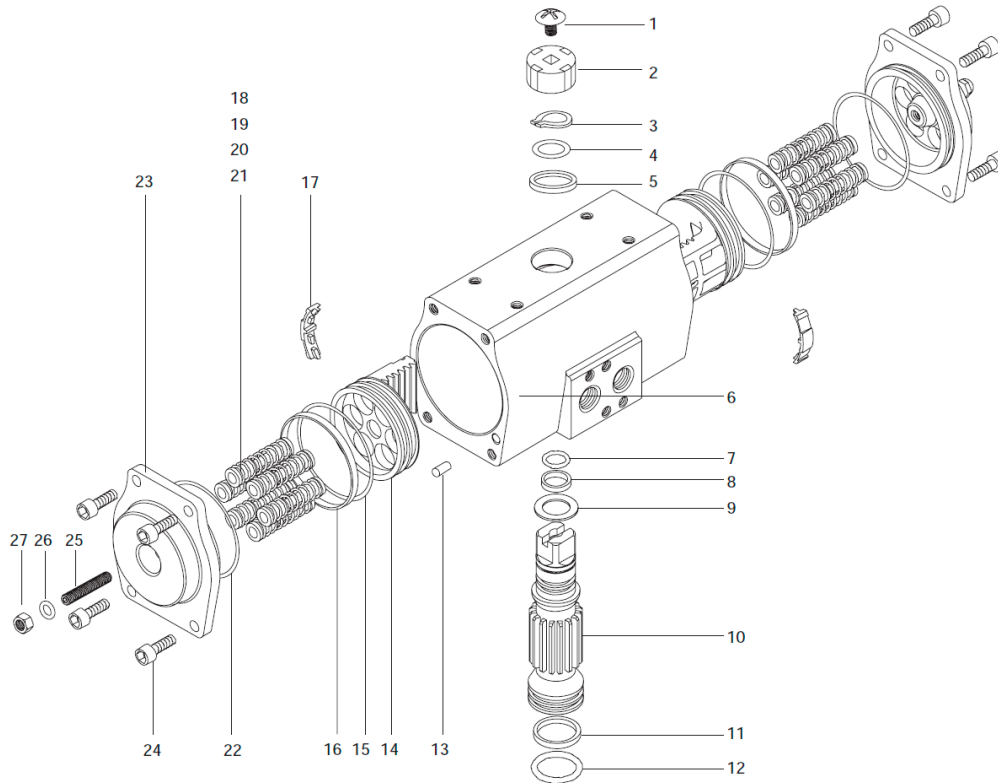
单作用气动执行器操作扭矩 / Spring return operating torques (N.m)

型号 Model	弹簧数量 Number of springs	弹簧行程 Spring stroke		气源压力/ Air supply (bar)							
				4 bar		5 bar		6 bar		7 bar	
		开始 Start (0)°	结束 End (90)°	开始 Start (0)°	结束 End (90)°	开始 Start (0)°	结束 End (90)°	开始 Start (0)°	结束 End (90)°	开始 Start (0)°	结束 End (90)°
2MICA-045SR8	2 x 4	4.6	7.4	7.2	4.3	-	-	-	-	-	-
2MICA-045SR10	2 x 5	5.8	9.2	-	-	9.0	5.4	-	-	-	-
2MICA-045SR12	2 x 6	7.0	11.1	-	-	-	-	10.8	6.5	13.8	9.5
2MICA-052SR8	2 x 4	6.8	9.9	9.0	5.7	-	-	-	-	-	-
2MICA-052SR10	2 x 5	8.5	12.4	-	-	11.3	7.2	-	-	-	-
2MICA-052SR12	2 x 6	10.1	14.8	-	-	-	-	13.5	8.6	17.5	12.6
2MICA-063SR8	2 x 4	10.9	16.7	16.9	10.8	-	-	-	-	-	-
2MICA-063SR10	2 x 5	13.7	20.9	-	-	21.1	13.5	-	-	-	-
2MICA-063SR12	2 x 6	16.4	25.0	-	-	-	-	25.3	16.2	32.4	23.3
2MICA-075SR8	2 x 4	16.9	23.2	22.5	15.9	-	-	-	-	-	-
2MICA-075SR10	2 x 5	21.1	29.0	-	-	28.1	19.8	-	-	-	-
2MICA-075SR12	2 x 6	25.3	34.7	-	-	-	-	33.8	23.8	43.9	33.9
2MICA-083SR8	2 x 4	25.3	36.8	35.0	22.8	-	-	-	-	-	-
2MICA-083SR10	2 x 5	31.6	46.0	-	-	43.8	28.7	-	-	-	-
2MICA-083SR12	2 x 6	38.0	55.2	-	-	-	-	52.5	34.4	67.9	49.8
2MICA-092SR8	2 x 4	37.3	55.0	51.6	33.0	-	-	-	-	-	-
2MICA-092SR10	2 x 5	46.7	68.7	-	-	64.5	41.2	-	-	-	-
2MICA-092SR12	2 x 6	56.0	82.5	-	-	-	-	77.3	49.5	100.1	72.3
2MICA-105SR8	2 x 4	50.6	78.7	78.3	48.7	-	-	-	-	-	-
2MICA-105SR10	2 x 5	63.3	98.4	-	-	97.8	60.8	-	-	-	-
2MICA-105SR12	2 x 6	75.9	118.1	-	-	-	-	117.4	73.0	150.3	105.9
2MICA-125SR8	2 x 4	83.8	125.4	116.8	73.0	-	-	-	-	-	-
2MICA-125SR10	2 x 5	104.7	156.8	-	-	145.8	91.0	-	-	-	-
2MICA-125SR12	2 x 6	125.7	188.1	-	-	-	-	175.7	110.0	226.7	161.0
2MICA-140SR8	2 x 4	137.3	206.3	206.5	133.8	-	-	-	-	-	-
2MICA-140SR10	2 x 5	171.6	257.9	-	-	258.4	167.5	-	-	-	-
2MICA-140SR12	2 x 6	205.9	309.5	-	-	-	-	309.3	200.2	397.3	288.2
2MICA-160SR8	2 x 4	223	333	299.8	184.2	-	-	-	-	-	-
2MICA-160SR10	2 x 5	279	417	-	-	374	229.5	-	-	-	-
2MICA-160SR12	2 x 6	335	500	-	-	-	-	449.2	275.7	582.1	408.7
2MICA-190SR8	2 x 4	303	469	524	340	-	-	-	-	-	-
2MICA-190SR10	2 x 5	379	586	-	-	656	426	-	-	-	-
2MICA-190SR12	2 x 6	455	703	-	-	-	-	787	511	1003	727
2MICA-210SR8	2 x 4	417	575	589	413	-	-	-	-	-	-
2MICA-210SR10	2 x 5	521	719	-	-	737	517	-	-	-	-
2MICA-210SR12	2 x 6	625	863	-	-	-	-	884	620	1147	883

ACT | ACC

气动执行器
PNEUMATIC ACTUATION

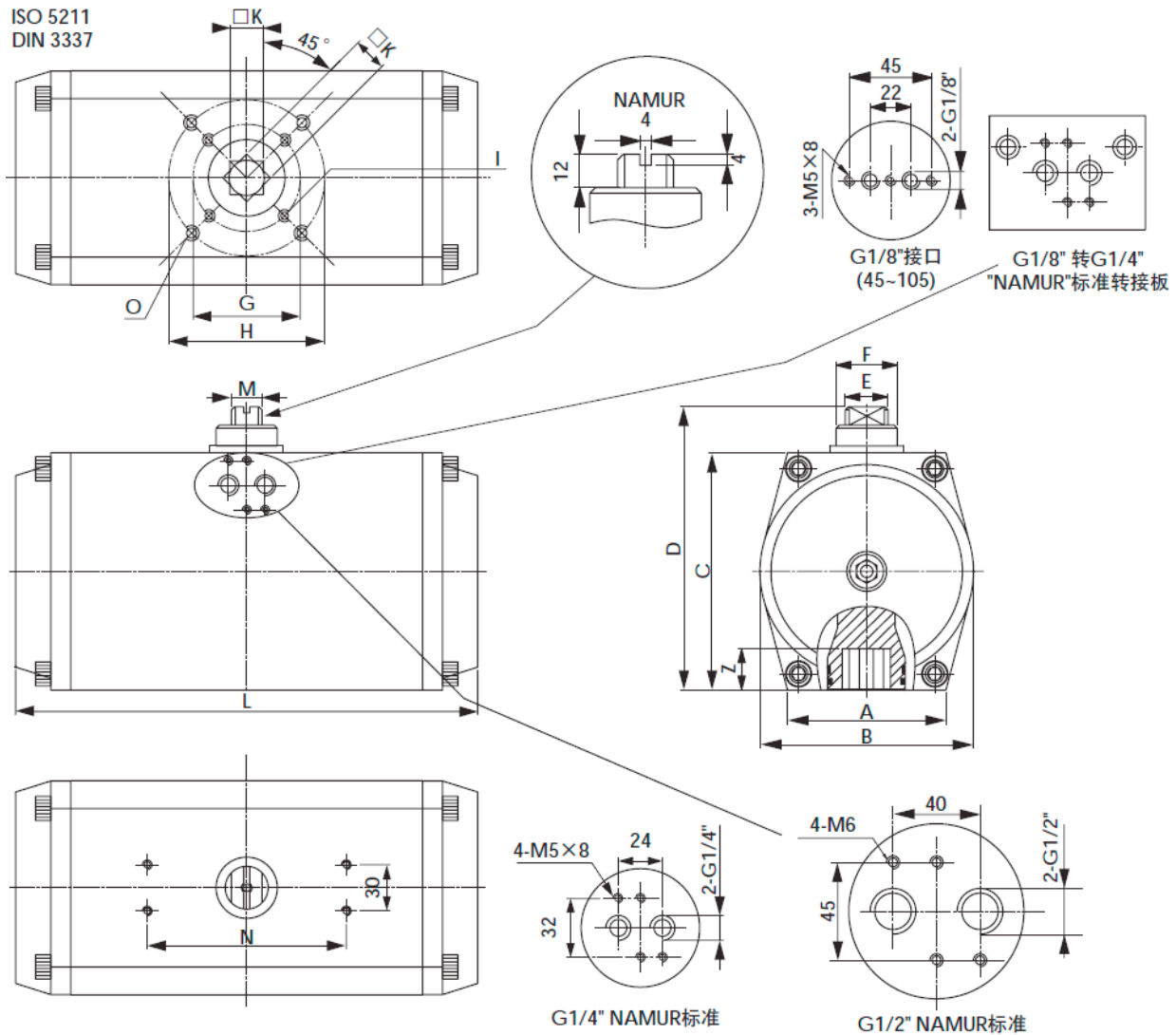
零部件 Components



Ref	Description	名称	数量 / Qty	Material	材料
1	Indicator Screw	指示器螺钉	1	Stainless steel (304)	不锈钢
2	Indicator	指示器	1	Plastic (ABS)	塑料
3	Circlip	弹性挡圈	1	Stainless steel (304)	不锈钢
4	Thrust washer	垫片	1	Stainless steel (304)	不锈钢
5	Outside washer	外垫片	1	Polyoxymethylene	工程塑料
6	Body	缸体	1	Extruded aluminum alloy (6005-T5)	铝合金 (6005-T5)
7	Inside washer	上轴"O"型圈	1	NBR	氟橡胶、丁腈橡胶
8	O-ring (pinion top)	上轴支承圈	1	Polyoxymethylene	工程塑料
9	Bearing (pinion top)	内垫片	1	Polyoxymethylene	工程塑料
10	Pinion	轴	1	#45 steel	#45 钢
11	Bearing (pinion bottom)	下轴支承圈	1	Polyoxymethylene	工程塑料
12	O-ring (pinion bottom)	下轴"O"型圈	1	NBR	氟橡胶、丁腈橡胶
13	Plug	塞头	2	NBR	橡胶
14	Piston	活塞	2	Die-casting aluminum (101A)	压铸铝 (101A)
15	O-ring (piston)	活塞"O"型圈	2	NBR	氟橡胶、丁腈橡胶
16	Bearing (piston)	活塞支承圈	2	Polyoxymethylene	工程塑料
17	Guide (piston)	活塞导板	2	Nylon66	尼龙 66
18	Spring	弹簧	*	Spring steel	弹簧钢
19	Spring retainer (L)	弹簧左套	*	Nylon66	尼龙 66
20	Spring retainer (R)	弹簧右套	*	Nylon66	尼龙 66
21	Retainer connector	弹簧套连杆	*	Brass	铜
22	O-ring(End-cap)	端盖"O"型圈	2	NBR	氟橡胶、丁腈橡胶
23	End-cap	端盖	2	Die-casting aluminum (ADC12)	压铸铝 (ADC12)
24	End-cap screw	端盖紧固螺杆	8	Stainless steel (304)	不锈钢 (304)
25	Adjust screw	调节螺杆	2	Stainless steel (304)	不锈钢 (304)
26	O-ring (adjust screw)	调节螺杆"O"型圈	2	Stainless steel (304)	不锈钢 (304)
27	Nut (adjust screw)	调节螺杆螺母	2	NBR	氟橡胶、丁腈橡胶

气动执行器
PNEUMATIC ACTUATION

外形尺寸 Overall dimensions



型号 / Model	A	B	C	D	E	F	G	H	I	K	L	M	N	O	Z	Air connection 气源接口
2MICA-045	48	58	65	95	12	14	F04	F05	M5×8	11	146	10	80	M6×10	14	G1/8"
2MICA-052	50	59	74	104	12	14	F04	F05	M5×8	11	146	10	80	M6×10	14	G1/8"
2MICA-063	60	72	88	118	12	18	F05	F07	M6×10	14	168	10	80	M8×13	18	G1/8"
2MICA-075	65	83	100	130	12	18	F05	F07	M6×10	14	184	10	80	M8×13	18	G1/8"
2MICA-083	67	90	109	139	14	18	F05	F07	M6×10	17	204	10	80	M8×13	21	G1/8"
2MICA-092	76	104	120	150	18	25	F05	F07	M6×10	17	260	14	80	M8×13	21	G1/8"
2MICA-105	90	115	133	163	20	25	F07	F10	M8×13	22	268	14	80	M10×16	26	G1/8"
2MICA-125	104	140	155	185	28	40	F07	F10	M8×13	22	298	20	130	M10×16	26	NAMUR G1/4"
2MICA-140	107	152	171.5	201.5	28	40	F10	F12	M10×16	27	390	20	130	M12×20	31	NAMUR G1/4"
2MICA-160	128	175.8	197	227	36	40	F10	F12	M10×16	27	458	28	130	M12×20	31	NAMUR G1/4"
2MICA-190	135	206	230	260	45	60	-	F14	-	36	525	32	130	M16×25	40	NAMUR G1/4"
2MICA-210	135	226	255	285	45	60	-	F14	-	36	532	32	130	M16×25	40	NAMUR G1/4"

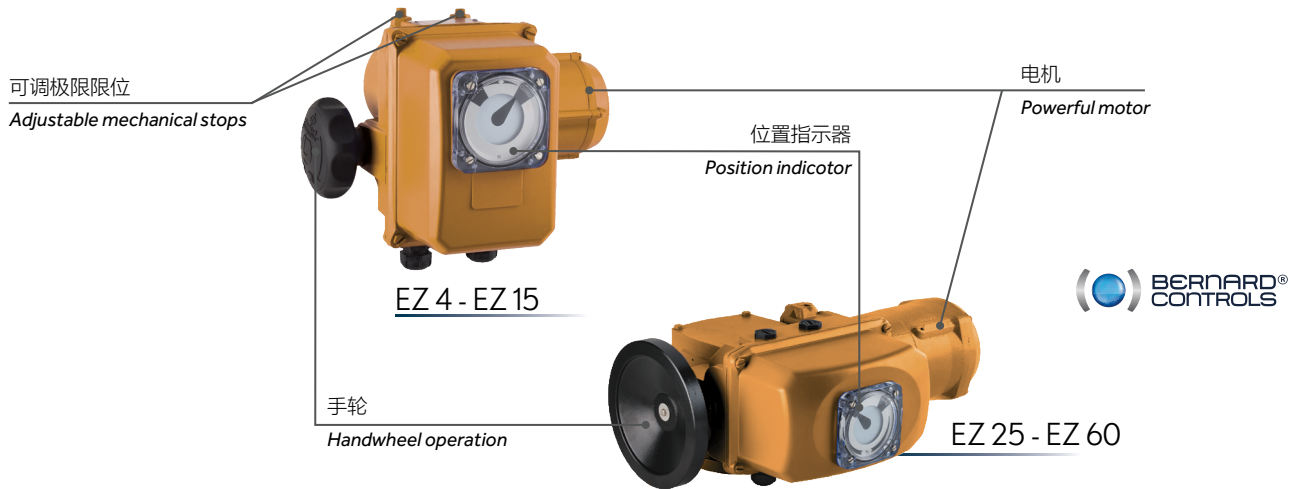
电动执行器
ELECTRIC ACTUATION

型号EZ 4 - EZ 60

扭矩 45 - 600 N.m

EZ 4 to EZ 60 presentation

Torque 45 to 600 N.m



执行器规格	
概述	EZ 执行机构包括带过热保护的电机、齿轮传动系统、紧急操作手轮、行程限位开关、扭矩开关（除EZ4 - EZ15）、防冷凝加热器以及带可拆卸轴套的输出驱动装置
齿轮设计	齿轮系统可机械自锁，并且润滑终生有效
设计寿命	EZ4 - EZ50: 20,000 次循环 (开关型) / 300,000 启动 (调节型) EZ100 - EZ1000: 10,000 循环 (开关型) / 200,000 启动 (调节型) 依据 EN15714-2 Class A & B 进行测试
外壳	执行机构箱体采用铸铝材料，表面采用阳离子环氧涂层，颜色 RAL 1017 IP67
电机技术	全密封式，三相或单相鼠笼式电机，F级绝缘，内置过热保护
电机工作制	S4-25% 电机工作制（依据 IEC 60034 - 1），峰值启动频率 360 次启动/小时
温度范围	温度范围 -20 ... +60°C / -4 ... +140°F
位置指示	机械式位置指示器，即使在电源故障时依然可以连续指示阀位
电气接线	螺钉式电源与控制接线端子。内置接地柱。
电缆进口	2 x M20，带堵丝密封
采用的指令与标准	执行机构符合如下指令与标准： CE指令：2004 / 108 / EC、2006 / 95 / EC 标准：EN 61000-6-4、EN 61000-6-2、EN 60034-1 和 EN 60529

General specifications	
General	EZ actuators include motor with thermal protection, gear case, emergency handwheel, travel limit switches, torque switches (except EZ4 to EZ15) anti-condensation heater, and output drive with removable socket
Gear design	Gears are mechanically self-locking and are lubricated for product lifetime
Design life	EZ4 to EZ60: 20,000 cycles (On-Off) / 300,000 starts (Positioning) EZ100 to EZ1000: 10,000 cycles (On-Off) / 200,000 starts (Positioning) Tested to EN15714-2 Class A & B
Enclosures	Actuator housing in aluminium die casting, cathaphoresis & epoxy paint RAL 1017 IP67
Motor technology	Totally-enclosed, squirrel cage 3-phase or 1-phase motor, class F insulation with integral thermal overload protection.
Motor duty	S4-25% motor duty rating to IEC 60034-1. 360 starts/hour in peak
Temperature range	-20°C to +60°C / -4°F to +140°F
Position indication	Mechanical position indicator for a continuous indication even in the event of power supply loss
Electrical connection	Screw-type terminals for controls and power supply. Internal earth grounding post
Cable entries	2 x M20 sealed by caps
Compliance with Directives & Standards	Actuators comply with: EC directives 2004 / 108 / EC, 2006 / 95 / EC and standards EN 61000-6-4, EN 61000-6-2, EN 60034-1 and EN 60529

电动执行器
ELECTRIC ACTUATION

基本操作参数

Basic operating details

开关型控制	
行程限位系统	4个SPDT 触点；最大负载250 VAC-16 A / 48 VDC-2,5 A. (电阻性负载)
扭矩限位系统	扭矩限位开关可提供瞬时触点 (除EZ4-EZ15) 标配2个触点, SPDT, 最大负载250VAC-16A / 48 VDC-2,5 A. (电阻性负载)
远程位置信号 (可选)	1000 Ohm 电位计, 0.3 W, 极限动触点电流1mA。 TA M位置变送器: 4-20mA (采用12、24或32V电源及150、750或1050 ohms负载)

On-Off controls	
Travel limit system	4 SPDT contacts ; 250 VAC-16 A / 48 VDC-2.5 Amax. (resistive load)
Torque limiting system	The torque limit switch gives a short duration contact. (except EZ4 to EZ15) 2 contacts as standard ; SPDT ; 250VAC-16A / 48 VDC-2.5 Amax. (resistive load)
Remote position signal (option)	1000 Ohm potentiometer, 0.3 W - wiper current = max. 1 mA. "TAM" position transmitter: 4-20 mA (12, 24 or 32V) power supply for maximum permissible load of 150, 750 or 1050 Ohms

带Minigam 的一体化调节型控制	
定位精度	高于2% 带死区调节电位计
命令 (设置点)	可配置输入信号 (输入阻抗) 4-20 mA (260 Ω) / 0-20 mA (260 Ω) / 0-10 V (10 kΩ)
位置反馈	输出信号类型与输入信号相同 (例如输入信号 4-20 mA – 输出信号 4-20 mA) 4-20 mA (最大300 Ω) / 0-20 mA (最大300 Ω) / 0-10 V (最小5 kΩ) 2个SPDT 触点: 最大容量250 VAC-16 A / 48 VDC-2,5 A. (电阻性负载)
集成保护功能	保险丝保护、电机热保护、过扭矩保护 (EZ25及以上型号)

Positioning with Minigam integrated controls	
Positioning precision	Better than 2%. Dead band adjustable by potentiometer
Command (set-point)	Configurable input signal (input impedance): 4-20 mA (260 Ω) / 0-20 mA (260 Ω) / 0-10 V (10k Ω)
Position feedback	Output signal identical to the input signal (i.e, input signal: 4-20 mA – output signal: 4-20 mA) 4-20 mA (300 Ω max.) / 0-20 mA (300 Ω max.) / 0-10 V (5 k Ω min.) 2 SPDT contacts ; 250 VAC-16 A / 48 VDC-2.5 Amax. (resistive load)
Integrated protections	Fuse protection - Motor thermal protection - Torque limiter protection (EZ25 and above)

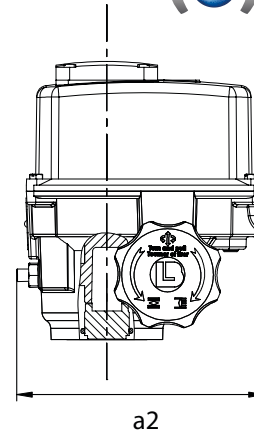
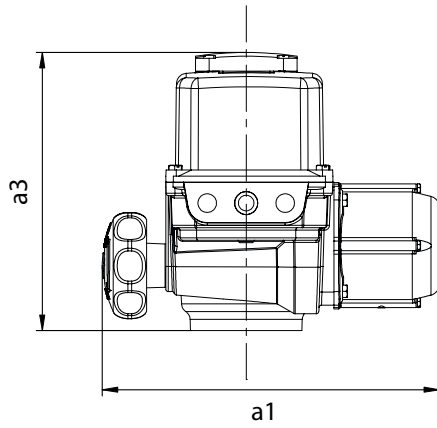
1x230 VAC 50 Hz								
						电机-S4-25% Motor - S4 service - Duty rating: 25%		
型号	最大扭矩(N.m)	是否可用Minigam	调节扭矩(N.m)	行程时间(s / 90°)	ISO 平台	功率(kw)	额定电流(A)	起动电流(A)
Type	Max torque N.m	Available in Minigam version	Positioning torque	Operating time s / 90°	Flange ISO	Power kw	Current rated A	Current start A
EZ4	45	non	-	6	F05/F07	0.03	0.8	0.9
EZ6	60	non	-	6	F05/F07	0.03	0.6	0.9
EZ10	100	non	-	6	F05/F07	0.06	1.2	1.7
EZ10	100	oui	50 N.m	35	F05/F07	0.02	0.5	0.6
EZ15	150	oui	75 N.m	25	F05/F07	0.03	0.6	0.9
EZ25	250	oui	125 N.m	30	F07/F10	0.03	0.6	0.9
EZ60	600	oui	250 N.m	30	F07/F10	0.06	1.2	1.7
3x400 VAC 50 Hz								
EZ6	60	non	-	6	F05/F07	0.03	0.3	0.5
EZ10	100	non	-	6	F05/F07	0.1	0.6	1.1
EZ15	150	non	-	25	F05/F07	0.03	0.3	0.5
EZ25	250	non	-	30	F07/F10	0.03	0.3	0.5
EZ60	600	non	-	30	F07/F10	0.06	0.3	0.8

ACT | ACC

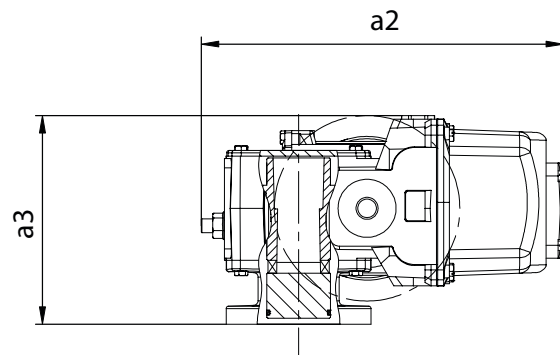
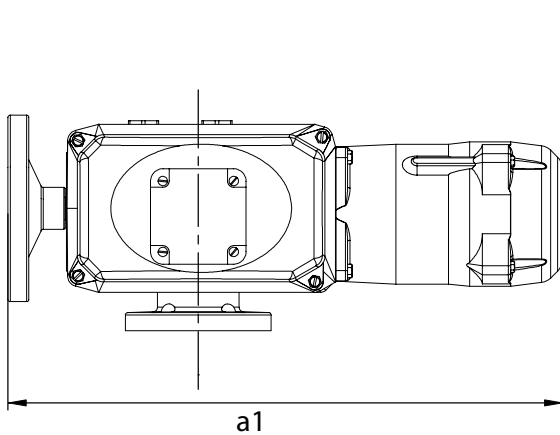
电动执行器
ELECTRIC ACTUATION

EZ 系列外形尺寸

Overall dimensions "EZ" type



	ISO 5211 法兰平台 Flange ISO5211	最大阀杆尺寸 / Stem size (mm)		a1 (mm)	a2 (mm)	a3 (mm)	重量(公斤) Weight (kg)
		圆轴 Bore (Max)	方轴 Square(Max)				
EZ4	F05/F07	22	19	≤273	≤200	≤225	6
EZ6	F05/F07	22	19	≤319	≤200	≤225	7
EZ10	F05/F07	22	19	≤362	≤200	≤225	7
EZ15	F05/F07	22	19	≤362	≤200	≤225	7



	ISO 5211 法兰平台 Flange ISO5211	最大阀杆尺寸 / Stem size (mm)		a1 (mm)	a2 (mm)	a3 (mm)	重量(公斤) Weight (kg)
		圆轴 Bore (max.)	方轴 Square (max.)				
EZ25	F07/F10	30	22	≤479	≤313	≤180	18
EZ60	F07/F10	32	27	≤528	≤313	≤180	20

可选项：
其他电压
防爆型 (ATEX)

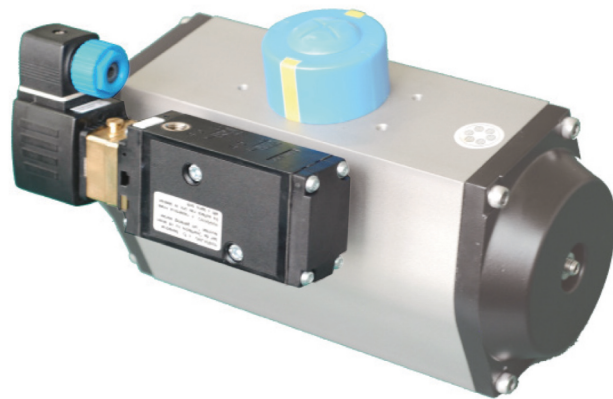
On request:
Other voltage
ATEX version

限位开关 / 电磁阀

防护等级
IP65 / IP67
爆炸危险区域
EEx "ia"
EEx "ed"
EEx "em"
ATEX II2 G / D

Limit switches / Solenoid valves

Classes of protection
IP65 / IP67
Hazardous area protection
EEx "ia"
EEx "ed"
EEx "em"
ATEX II2 G / D



感应器
Inductive sensors

EEx 'ia' 电磁阀
EEx 'ia' solenoid valve



EEx 'em' 电磁阀
EEx 'em' solenoid valve

EEx 'ed' 限位开关
EEx 'ed' Limited switch box

ACT | ACC

附件
ACCESSORIES

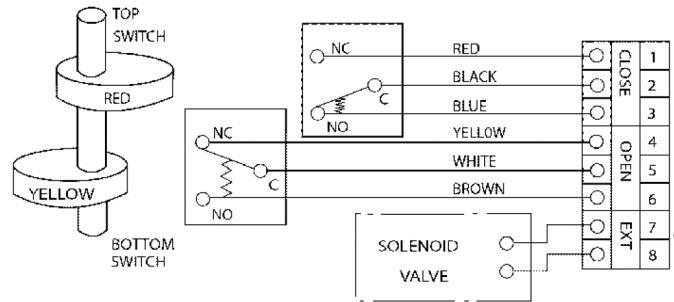
限位开关

安全区域



Limit switch box

Safe area



防护
IP67

外壳
铝制模具成型，聚酯粉末喷涂
VDI / VDE 3845 支架

布线
2 x 1/2" G 螺纹

信号
2 x SPDT 机械开关

位置指示
在限位开关盒的顶部 (开 / 关)

技术参数
电压: 最大 250V
电流: 最大 16A
温度: -20°C 到 80°C

Protection
IP67

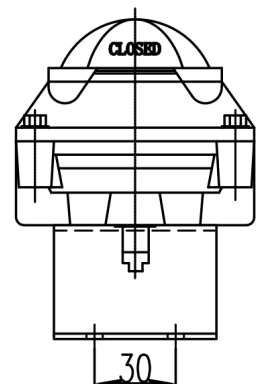
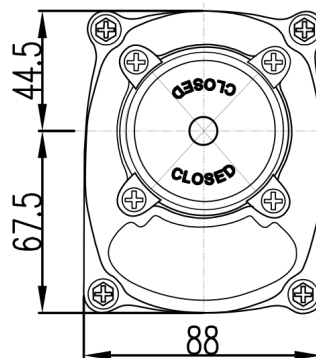
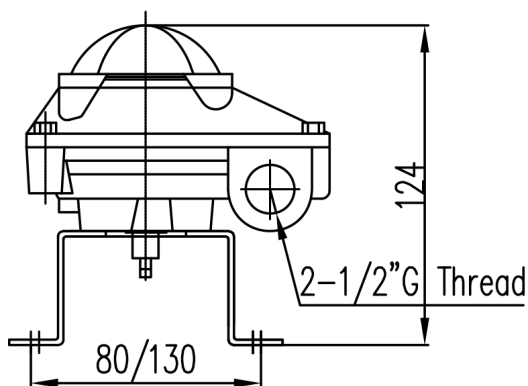
Housing
Polyester powder coated die-casted aluminium
Bracket according to VDI / VDE 3845

Cabling
2 x 1/2" G thread

Signal
2 x SPDT mechanical switches

Position indication
On the top of the box (Open / Closed)

Technical data
Voltage: 250V max
Current: 16A max
Temperature: -20°C to 80°C



ASCO 电磁阀

安全区域

Solenoid valve ASCO

Safe area



G531 型电磁阀

5/2 - 3/2 型式

阀体作阳极铝处理

空气或中性气体 (经过滤)

压力: 2 到 10 bar

空气流量 (6 bar): 1100 l / min

温度: -10°C 到 +60°C

外壳 IP65

带手动操作螺栓

Solenoid valve G531 type

5/2 - 3/2 type

Body in anodized aluminium

Supply: air, neutral gaz (filtered)

Pressure: 2 to 10 bar

Air flowrate (Qv at 6 bar): 1100 l / min.

Temperature: -10°C to +60°C

Housing IP65

Manual override

IP65 先导阀

型号: SCG 531

标准电压: 24VDC, 24VAC, 115VAC, 230 VAC 50Hz

接头 M 20x1.5

IP65 pilot

Type: SCG 531

Voltages: 24VDC, 24VAC, 115VAC, 230VAC 50Hz

Gland entry M20 x 1.5

附件
ACCESSORIES

Parker 电磁阀

安全区域

Solenoid valve Parker

Safe area



BNK AD6 JNC2 型电磁阀

5/2 - 3/2 型式

阀体作铝处理

空气或中性气体 (经过滤)

压力: 2 到 10 bar

空气流量 (6 bar): $Q_v = 600\text{ l / min}$

温度: -10°C 到 60°C

外壳 IP65

带手动操作螺栓

IP65 先导阀

型号: 496593C2

标准电压: 24VDC, 24VAC, 115VAC, 230 VAC 50Hz

接头 M 20x1.5

Solenoid valve BNKAD6JNC2 type

5/2 - 3/2 type

Body in Aluminum

Supply: air, inert gas (filtered)

Pressure: 2 to 10 bar

Air flowrate (Q_v at 6 bar): 600 l/min

Temperature: -25°C to 80°C

Housing IP65

Manual operation screw

IP65 pilot

Type: 496593C2

Standard voltages: 24VDC, 24VAC, 115VAC, 230 VAC 50Hz

Gland entry M20x1.5

感应器

安全区域



防护
IP67

感应器
两个 PBTP 模制传感器
防抖动及震动
VDI / VDE 3845

布线
M 18 接头

信号
两个常开感应器，带目标盘

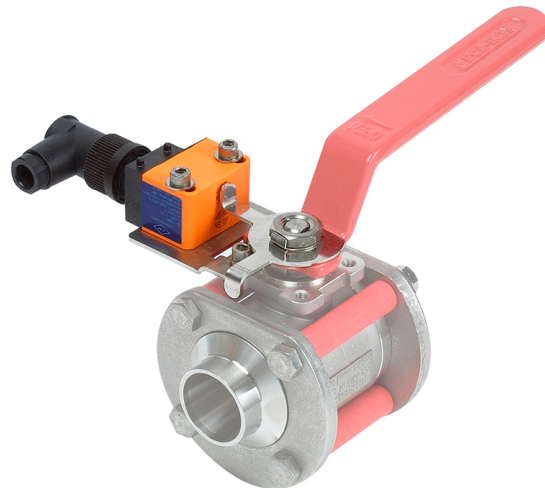
位置指示
两个黄色 LED 灯

技术参数
电压：10 到 36 VDC
电流：250mA
温度：-20°C 到 80°C

可选项
可定制其它型号的 IFM 感应器

Inductive sensor

Safe area



Protection
IP67

Sensors
2 sensors moulded in PBTP.
Shocks and vibrations resistant
VDI / VDE 3845

Cabling
M 18 connector

Signal
2 inductive sensors normally open with target puck

Position Indication
2 yellow LED

Technical data
Voltage: 10 to 36 VDC
Current: 250mA
Temperature : -20°C to +80°C

On request
Other types of IFM sensors

附件
ACCESSORIES

BÜRKERT EEx"ia"电磁阀

爆炸危险区域 (ATEX)

EEx"ia" solenoid valve BÜRKERT

'Hazardous area' protection (ATEX)



6519 型号电磁阀

5/2 - 3/2 型式
带手动操作螺栓
聚酰胺阀体
空气或中性气体 (经过滤)
压力: 从 2 到 8 bar
空气流量(6 bar): 900 l / min
温度: -20°C 到 55°C
外壳 IP65

EEx"ia" 先导阀

ATEX 94 / 9 / EC II2G EEx"ia" IIC T6
电压: 24 VDC
接头: M20 x 1.5

Solenoid valve 6519 type

5/2 - 3/2 type
Manual override
Body in polyamid
Supply: air, neutral gaz (filtered)
Pressure: 2 to 8 bar
Air flowrate (Qv at 6 bar): 900 l / min.
Temperature: -20°C to +55°C
Housing IP65

EEx"ia" pilot

ATEX 94 / 9 / EC II2G EEx"ia" IIC T6
Voltage: 24 VDC
Gland entry M20 x 1.5

附件
ACCESSORIES

EEx"ia"感应传感器

爆炸危险区域 (ATEX)



防护

本质安全 EEx"ia" IIC T6
ATEX 94 / 9 / EC II2GD
IP67 (防水、空气、尘)

感应器

两个 PBTP 模制感应器
VDI / VDE 3845 防抖动及震动

布线

M 18 接头

信号

两个常开感应器，带目标盘

位置指示

两个黄色 LED 灯

技术参数

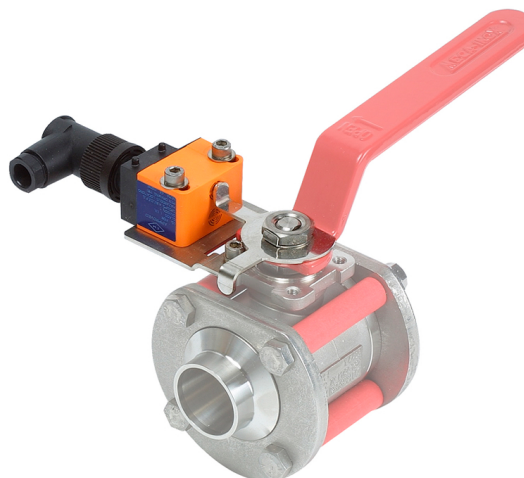
电压: 7.5 to 15 VDC
名义电压: 8.2 VDC (Namur)
电流: < 1mA (阻尼电流)
> 2.1mA (感应电流)
温度: -20°C 到 70°C

可选项

可定制其他型号的 IFM 感应器

Inductive sensors EEx"ia"

'Hazardous area' protection (ATEX)



Protection

Intrinsically safe EEx"ia" IIC T6.
ATEX 94 / 9 / EC II2GD
IP67 (splatterings of water, air, dust)

Sensors

2 sensors moulded in PBTP.
Shocks and vibrations resistant VDI / VDE 3845

Cabling

M 18 connector

Signal

2 inductive sensors normally close with target puck

Position Indication

2 yellow LED

Technical data

Voltage: 7.5 to 15 VDC
Nominal voltage: 8.2VDC (Namur)
Current: < 1mA (damped)
> 2.1mA (undamped)
Temperature: -20°C à +70°C

On request

Other types of IFM sensors

附件
ACCESSORIES

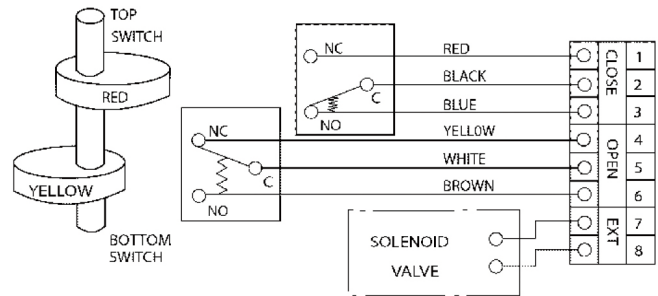
EEx"d"限位开关

爆炸危险区域



Limit switch box EEx"d"

'Hazardous area' protection



保护

IP67

隔爆型 Ex d IIC T6

Protection

IP67

Explosion proof Ex d IIC T6

外壳

铝制铸造成型，聚酯粉末喷涂

VDI / VDE 3845 支架

Housing

Polyester powder coated die-casted aluminium

Bracket according to VDI / VDE 3845

布线

2 x 3/4" NPT 螺纹

Cabling

2 x 3/4" NPT thread

信号

2 x SPDT 机械开关

Signal

2 x SPDT mechanical switches

位置指示

在限位开关盒的顶部 (开 / 关)

Position indication

On the top of the box (Open / Closed)

技术参数

电压: 最大 250V

电流: 最大 16A

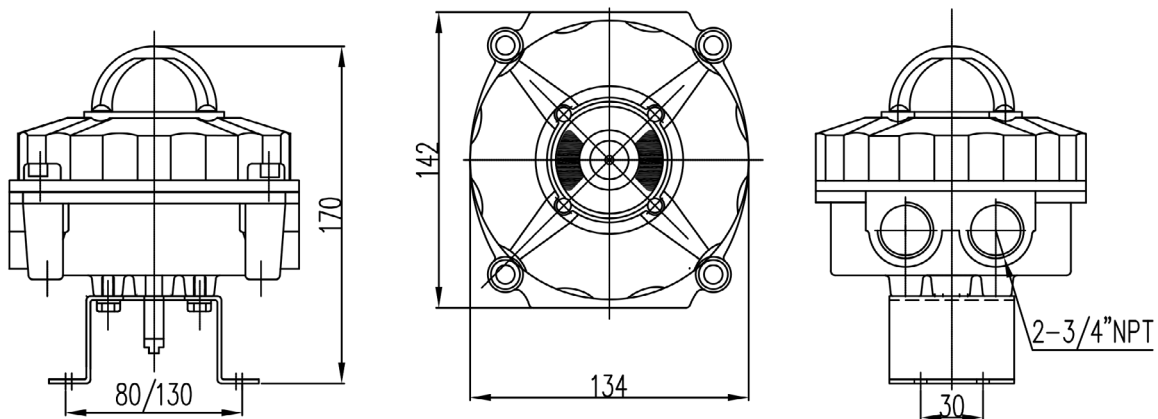
温度: -20°C 到 80°C

Technical data

Voltage: 250V max

Current: 16A max

Temperature: -20°C to 80°C



BÜRKERT EEx"em"电磁阀

爆炸危险区域 (ATEX)

EEx"em" solenoid valve BÜRKERT

'Hazardous area' protection (ATEX)



6519 型号电磁阀

5/2 - 3/2 型式

手动操作螺栓

聚酰胺阀体

空气或中性气体 (经过滤)

压力: 2 到 8 bar

空气流量: (6 bar): 900 l / min

温度: -20°C到55°C

外壳 IP65

Solenoid valve 6519 type

5/2 - 3/2 type

Manual override

Body in polyamid

Supply: air, neutral gaz (filtered)

Pressure: 2 to 8 bar

Air flowrate (Qv at 6 bar): 900 l / min.

Temperature: -20°C to +55°C

Housing IP65

EEx"em" 先导阀

ATEX 94 / 9 / EC II2G EEx"em" T6

电压: 24VDC, 24VAC, 115VAC, 230VAC 50Hz

接头: M20x1.5

EEx"em" pilot

ATEX 94 / 9 / EC II2GD EEx"em" T6

Voltage: 24VDC, 24VAC, 115VAC, 230VAC 50Hz

Gland entry M20x1.5

附件
ACCESSORIES

ASCO EEx"d"电磁阀

爆炸危险区域 (ATEX)

EEx"d" solenoid valve ASCO

'Hazardous area' protection (ATEX)



G551 LPKF 型号电磁阀

5/2 - 3/2 型式

手动操作螺栓

铝制阀体

空气或中性气体 (经过滤)

压力: 2 到 10 bar

空气流量 (6 bar): 900 l / min

温度: -40°C 到 60°C

外壳 IP67

符合 CEI 335

Spool valve Asco G551 LPKF

5/2 and 3/2 type

Manual override

Aluminium body

Supply: air, neutral gaz (filtered)

Pressure: 2 to 10 bar

Air flowrate (6 bar): 900 l / min.

Temperature: -40°C to +60°C

IP67 Housing

Compliant to CEI 335

EEx"d" 先导阀

防护等级: II2G Ex d IIB + H2 Gb T6

电压

DC: 24VDC, 48VDC

AC50Hz: 24VAC, 48VAC, 115VAC, 230VAC

对直径在 6 - 12mm 的非铠装电缆交货时带此接头

EEx "d" pilot

Protection: II2G Ex d IIB+H2 Gb T6

Voltage (Power):

DC: 24VDC, 48VDC

AC 50Hz: 24VAC, 48VAC, 115VAC, 230VAC

Delivered with cable gland packing for unarmored cable diameter: 6 - 12mm

附件
ACCESSORIES

其他可选项

Others solutions on request



示例
限位开关盒
带电磁阀

Example
Limit switch box
including solenoid
valve

ACT|ACC