

Sampling Ball Valves

取样球阀



Direct Sampling on Fluid Line
No "Dead zone" & Fully Safe Operation
Large choice of sampling volumes & Bottle

可实现直接在线取样
无介质残留 & 全程安全维护
多种取样瓶形式 & 多种取样量选择

Applications :

On line sampling of hot or corrosive fluids without process stopping.

No risk of line contamination during sampling.

No risk of sample contamination by hold fluid trapped before the ball.

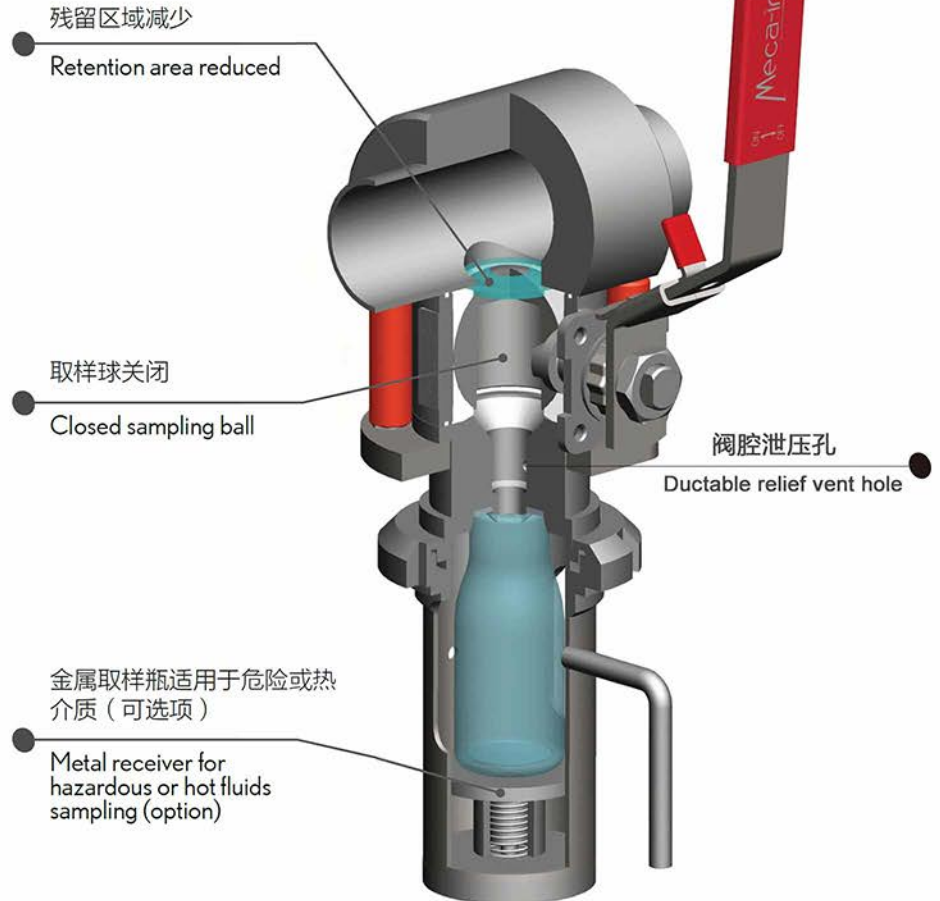
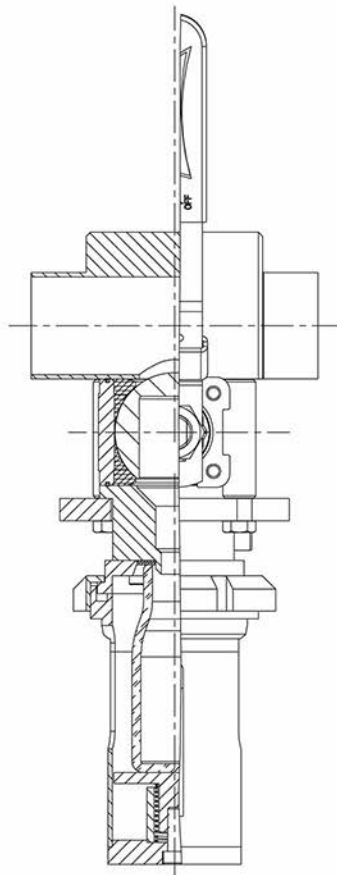
解决方案 :

可实现对高温或高腐蚀性介质的在线取样。

取样期间，无外界污染风险。

无球阀前残液污染样品的风险。

PS4 PE



On request

Sample holder
Isolating check valve
Other materials

阀门可选项

金属取样托杯
单向止回式封闭瓶口
特殊阀门材质

Solutions :

* The retention volume of a PS4 PE valve is 10 times smaller than a valve with clamp fitting and T piping.
Example: the DN 25 retention volume is only 2ml.

* Constant tightness between pressurised pipe and sampling outlet ensures fully safe operation.

* Several sampling ball volume are available:
15, 30, 50 & 100cc.

解决方案：

*PS4 PE的残留空间比传统卡箍式连接与T型管取样结构形式小10倍。
例如：DN25阀体的残留空间仅有2ML。

* 压力管线与取样口之间始终具有良好的密封性，确保全程安全取样。

* 多种精准取样量可选15，30，50 & 100cc。